

Service
Service
Service



Service Manual

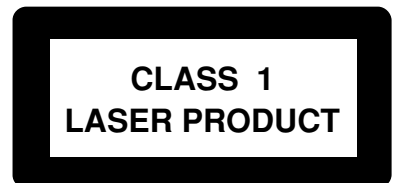


TABLE OF CONTENTS

	Page
Location of pc boards & Version variations	1-2
Technical Specifications	1-3
Measurement setup	1-4
Service Aids, Safety Instruction, etc.	1-5
Disassembly Instructions & Service positions	2
Service Test Program	3-1
Region code, Software version & upgrades	3-2
Set Block diagram	4-1
ECO Board	5
Front Board	6
AV Board	7
Module SD6.1 PL 2CH	8
Set Mechanical Exploded view & parts list	9
PSU Board (For Information only)	10

© Copyright 2004 Philips Consumer Electronics B.V. Eindhoven, The Netherlands
All rights reserved. No part of this publication may be reproduced, stored in a retrieval system or transmitted, in any form or by any means, electronic, mechanical, photocopying, or otherwise without the prior permission of Philips.

Published by BB0435 Service AV Systems Printed in The Netherlands Subject to modification



3139 785 30660

Version 1.0



PHILIPS

SPECIFICATIONS

GENERAL:

Mains voltage : 220-240V for /00/02/05
 110-127V/220-240V for /78
 Mains frequency : 50/60Hz
 Power consumption : < 14W
 < 0.3W at Standby mode
 Dimension centre unit : 435 x 46 x 310mm

AUDIO PERFORMANCE:

Normal Mode Stereo L/R

Output Voltage : $2V_{rms} \pm 1.5dB$
 Channel Unbalance (1kHz) : < 0.85dB
 Crosstalk : > 100dB (1kHz)
 > 95dB (20Hz-20kHz)
 Freq. Response (20Hz-20kHz) : $\pm 0.2dB$ max
 Signal to Noise Ratio : > 90dB (A-weighted)
 Distortion and Noise : > 85dB (1kHz)
 > 80dB (20Hz-2kHz)
 > 75dB (4kHz-20kHz)

AUDIO FORMAT:

MPEG/AC-3/PCM : Compressed Digital
 16, 20, 24 bits
 fs, 44.1, 48, 96 kHz
 MP3 (ISO 9660) : 96, 112, 128, 256 kbps & variable
 bit rate fs, 32, 44.1, 48 kHz

VIDEO FORMAT:

Digital Compression : MPEG-2 for DVD, SVCD
 MPEG-1 for VCD
 MPEG-4/DivX

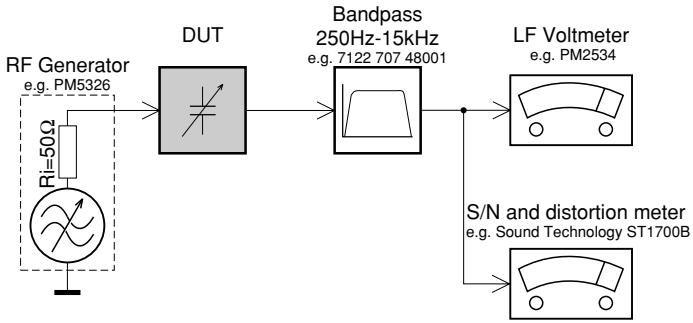
VIDEO PERFORMANCE:

CVBS ¹⁾ : $1.0V_{p-p}$
 YPbPr ¹⁾ : $0.7V_{p-p}$
 RGB (Scart) ¹⁾ : $0.7V_{p-p}$

¹⁾ Output terminals to be terminated with 75Ω

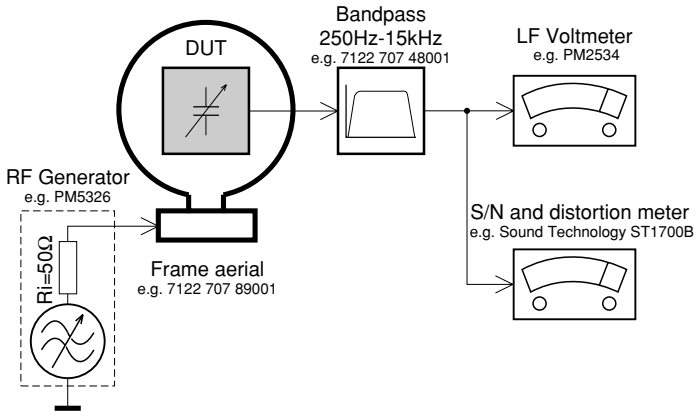
MEASUREMENT SETUP

Tuner FM



Use a bandpass filter to eliminate hum (50Hz, 100Hz) and disturbance from the pilotone (19kHz, 38kHz).

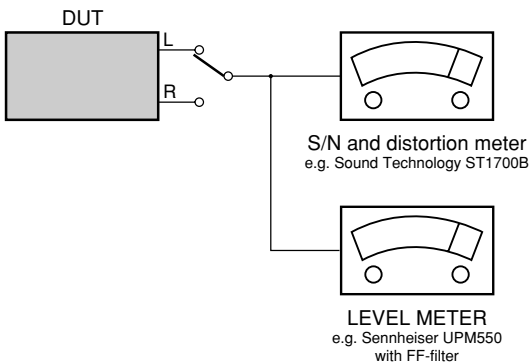
Tuner AM (MW,LW)



To avoid atmospheric interference all AM-measurements have to be carried out in a Faraday's cage.
Use a bandpass filter (or at least a high pass filter with 250Hz) to eliminate hum (50Hz, 100Hz).

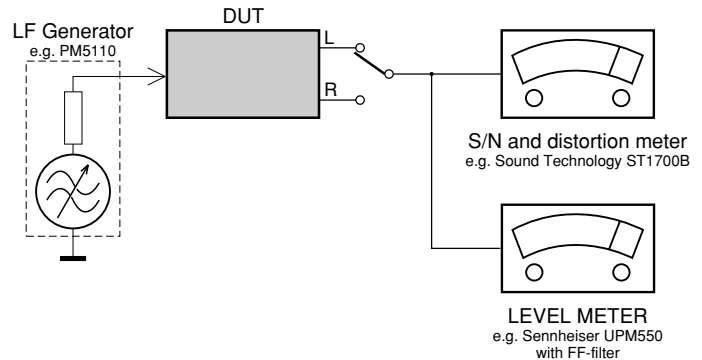
CD

Use Audio Signal Disc SBC429 4822 397 30184
(replaces test disc 3)



Recorder

Use Universal Test Cassette **CrO2** SBC419 4822 397 30069
or Universal Test Cassette **Fe** SBC420 4822 397 30071



SERVICE AIDS

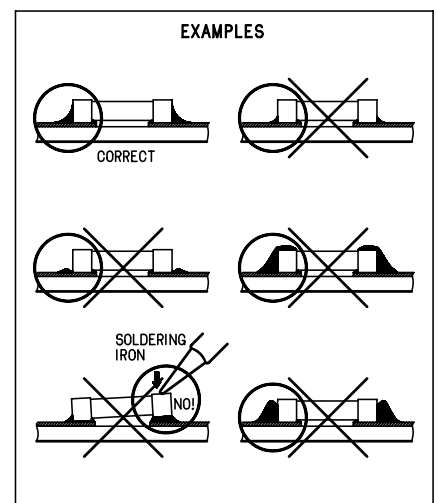
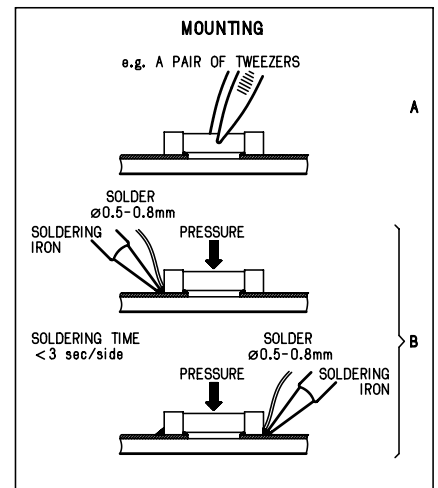
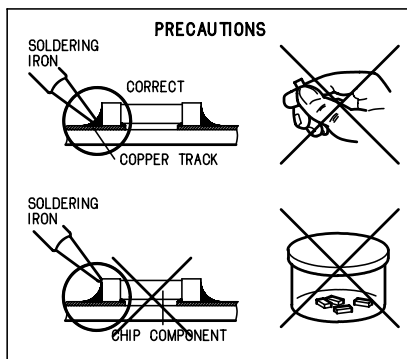
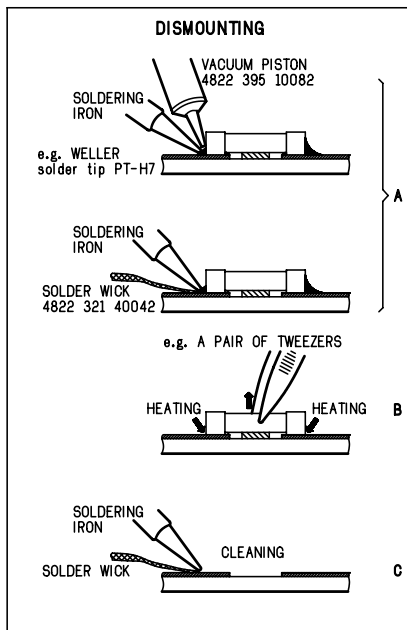
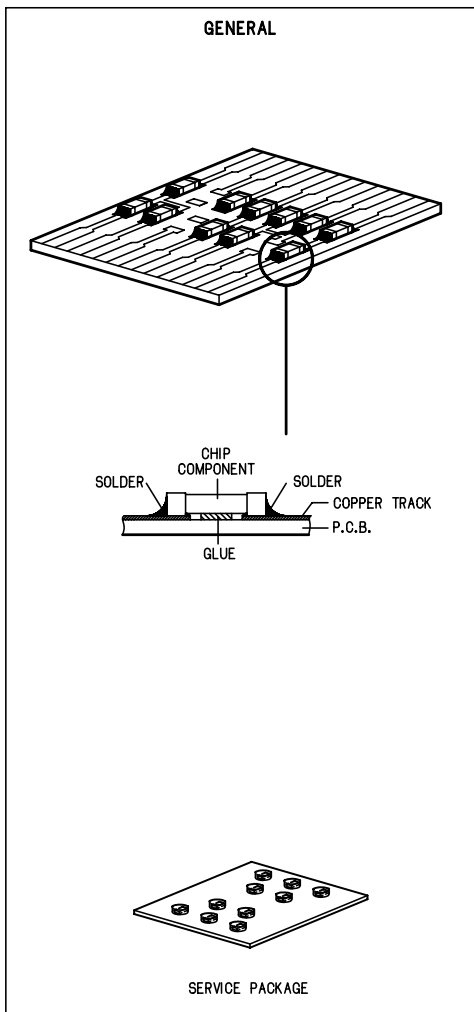
Service Tools:

Universal Torx driver holder	4822 395 91019
Torx bit T10 150mm	4822 395 50456
Torx driver set T6 - T20	4822 395 50145
Torx driver T10 extended	4822 395 50423

Compact Disc:

SBC426/426A Test disc 5 + 5A	4822 397 30096
SBC442 Audio Burn-in Test disc 1kHz	4822 397 30155
SBC429 Audio Signals disc	4822 397 30184
Dolby Pro-logic Test Disc	4822 395 10216

HANDLING CHIP COMPONENTS



(GB) WARNING

All ICs and many other semi-conductors are susceptible to electrostatic discharges (ESD). Careless handling during repair can reduce life drastically.

When repairing, make sure that you are connected with the same potential as the mass of the set via a wrist wrap with resistance. Keep components and tools also at this potential.

ESD**(NL) WAARSCHUWING**

Alle IC's en vele andere halfgeleiders zijn gevoelig voor electrostatische ontladingen (ESD). Onzorgvuldig behandelen tijdens reparatie kan de levensduur drastisch doen verminderen.

Zorg ervoor dat u tijdens reparatie via een polsband met weerstand verbonden bent met hetzelfde potentiaal als de massa van het apparaat.

Houd componenten en hulpmiddelen ook op hetzelfde potentiaal.

(F) ATTENTION

Tous les IC et beaucoup d'autres semi-conducteurs sont sensibles aux décharges statiques (ESD).

Leur longévité pourrait être considérablement écourtée par le fait qu'aucune précaution n'est prise à leur manipulation.

Lors de réparations, s'assurer de bien être relié au même potentiel que la masse de l'appareil et enfilez le bracelet serti d'une résistance de sécurité.

Veiller à ce que les composants ainsi que les outils que l'on utilise soient également à ce potentiel.

(D) WARNUNG

Alle ICs und viele andere Halbleiter sind empfindlich gegenüber elektrostatischen Entladungen (ESD).

Unvorsichtige Behandlung im Reparaturfall kann die Lebensdauer drastisch reduzieren.

Veranlassen Sie, dass Sie im Reparaturfall über ein Pulsarmband mit Widerstand verbunden sind mit dem gleichen Potential wie die Masse des Gerätes.

Bauteile und Hilfsmittel auch auf dieses gleiche Potential halten.

(I) AVVERTIMENTO

Tutti IC e parecchi semi-conduttori sono sensibili alle scariche statiche (ESD).

La loro longevità potrebbe essere fortemente ridotta in caso di non osservazione della più grande cauzione alla loro manipolazione.

Durante le riparazioni occorre quindi essere collegato allo stesso potenziale che quello della massa dell'apparecchio tramite un braccialetto a resistenza.

Assicurarsi che i componenti e anche gli utensili con quali si lavora siano anche a questo potenziale.

(GB) ESD PROTECTION EQUIPMENT:

Complete Kit ESD3 (small tablemat, wristband, connection box, extension cable and earth cable) 4822 310 10671
Wristband tester 4822 344 13999

(GB)

Safety regulations require that the set be restored to its original condition and that parts which are identical with those specified, be used

Safety components are marked by the symbol \triangle .

(NL)

Veiligheidsbepalingen vereisen, dat het apparaat bij reparatie in zijn oorspronkelijke toestand wordt teruggebracht en dat onderdelen, identiek aan de gespecificeerde, worden toegepast.

De Veiligheidsonderdelen zijn aangeduid met het symbool \triangle .

(F)

Les normes de sécurité exigent que l'appareil soit remis à l'état d'origine et que soient utilisés les pièces de rechange identiques à celles spécifiées.

Less composants de sécurité sont marqués \triangle .

(D)

Bei jeder Reparatur sind die geltenden Sicherheitsvorschriften zu beachten. Der Originalzustand des Geräts darf nicht verändert werden; für Reparaturen sind Original-Ersatzteile zu verwenden.

Sicherheitsbauteile sind durch das Symbol \triangle markiert.

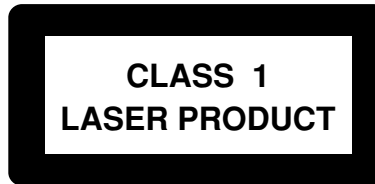
(I)

Le norme di sicurezza esigono che l'apparecchio venga rimesso nelle condizioni originali e che siano utilizzati i pezzi di ricambio identici a quelli specificati.

Componenti di sicurezza sono marcati con \triangle .

(GB)

After servicing and before returning set to customer perform a leakage current measurement test from all exposed metal parts to earth ground to assure no shock hazard exist. The leakage current must not exceed 0.5mA.

**(GB) Warning !**

Invisible laser radiation when open.
Avoid direct exposure to beam.

(S) Varning !

Osynlig laserstrålning när apparaten är öppnad och spårren är urkopplad. Betrakta ej strålen.

(SF) Varoitus !

Avatussa laitteessa ja suoalukituksen ohitettaessa olet alltiina näkymättömälle laserisäteilylle. Älä katso säteeseen!

(DK) Advarse !

Usynlig laserstrålning ved åbning når sikkerhedsafbrydere er ude af funktion. Undgå udsættelse for strålning.

(F)

"Pour votre sécurité, ces documents doivent être utilisés par des spécialistes agréés, seuls habilités à réparer votre appareil en panne".

DISMANTLING INSTRUCTIONS

Dismantling of the DVD Loader

- 1) The tray can be manually open by inserting a minus screw driver and push the lever in the direction as shown in Figure 1 to unlock the tray before sliding it out.
- 2) Slide out the tray and remove the Tray Front assembly (pos 110 + pos 111) as shown in Figure 2.
- 3) Loosen 5 screws to remove the Cover Top (pos 240).
 - 1 screw each on the left & right side
 - 3 screws on the rear
- 4) Loosen 4 screws B (see Figure 4) to remove the DVD Loader.

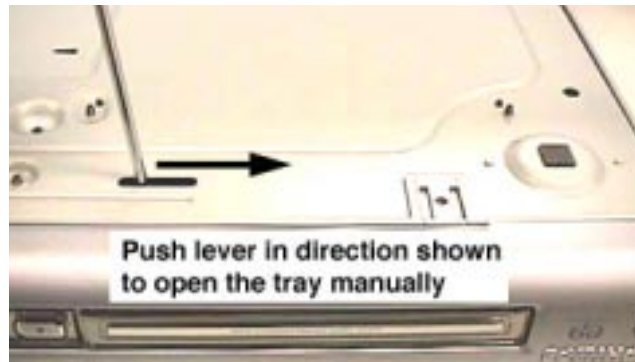


Figure 1

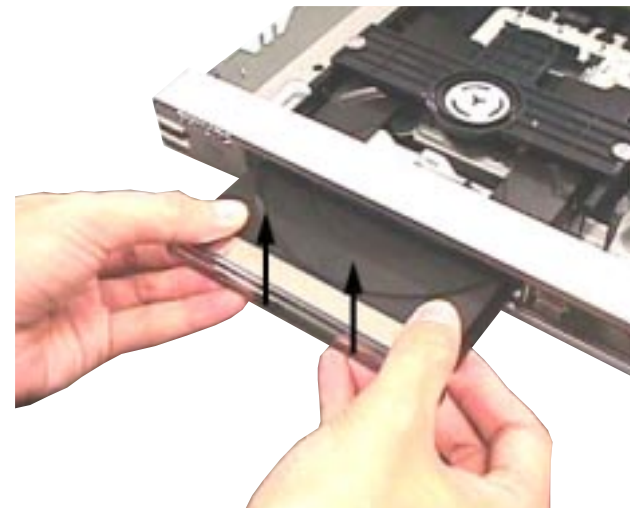


Figure 2

Dismantling of the AV Board, SD6.1 PL 2CH Board and PSU Board

- 1) Loosen 8 screws A (see Figure 3) and uncatch 2 catches C1 (see Figure 4) to remove the AV Board (pos 1001).
- 2) Loosen 4 screws D (see Figure 4) to remove the SD6.1 PL 2CH Board.
- 3) Loosen 2 screws E and uncatch 2 catches C2 (see Figure 4) to remove the PSU Board (pos 1004).

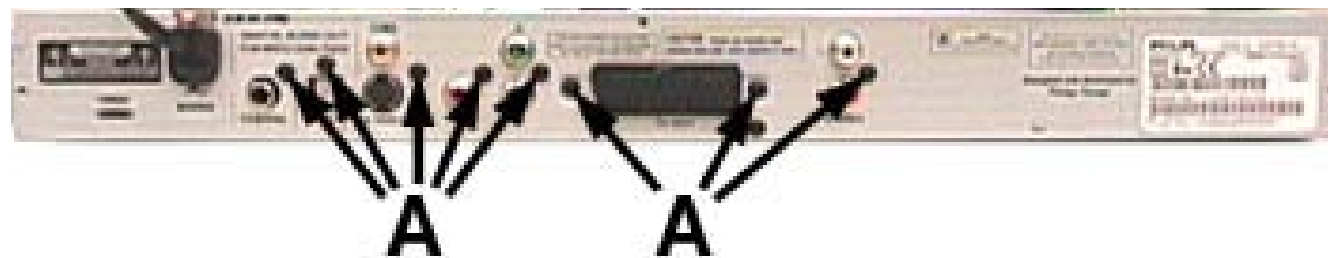


Figure 3

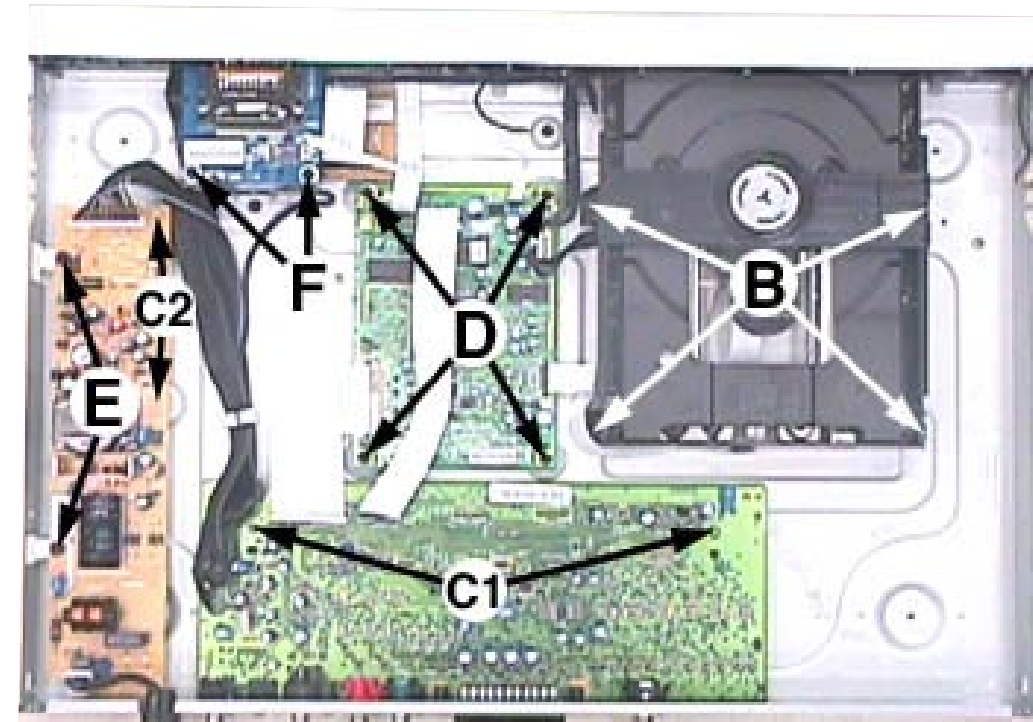


Figure 4

Detaching the Front Cabinet assembly and the Card Reader

- 1) Loosen 2 screws F (see Figure 4) and 2 screws G (see Figure 5) at the bottom to detach the Front Cabinet assembly from the Bottom Frame (pos 161) by sliding it out towards the front.
 - see Service position C
- 2) The Card Reader (pos 175) can be detach from the Front Cabinet assembly by pushing in the direction as shown in Figure 6 to loosen it before sliding it out in the direction as shown in Figure 7.



Figure 5



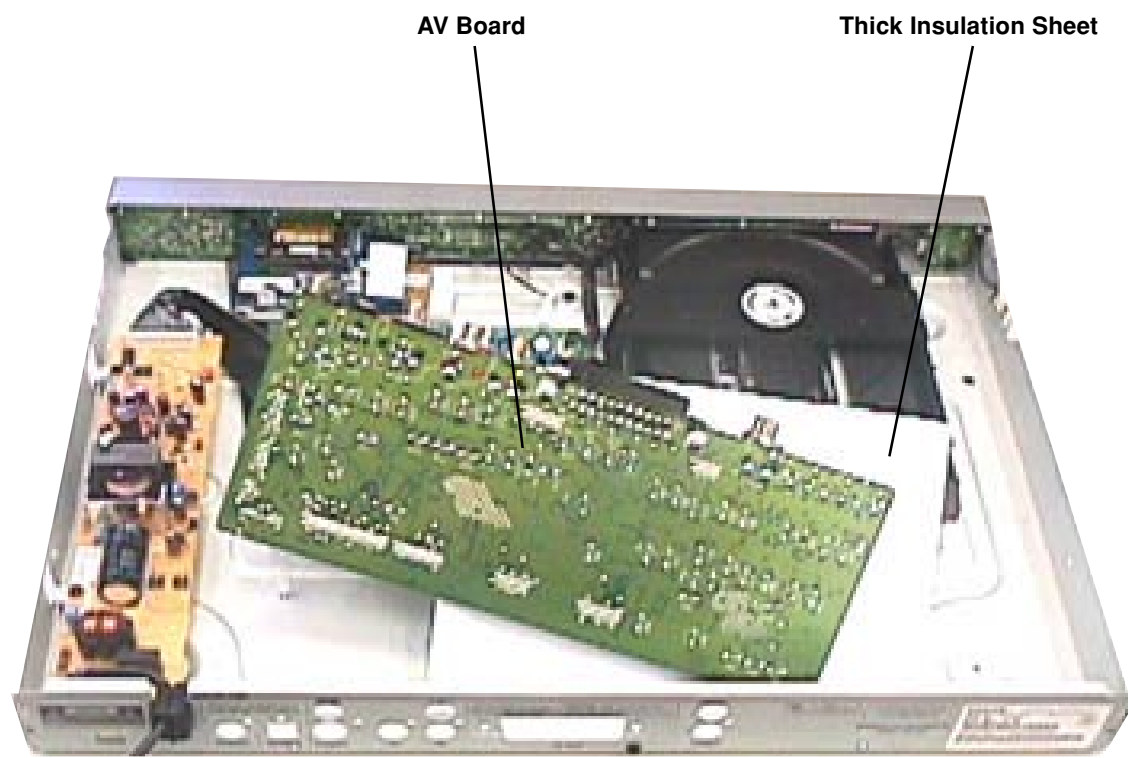
Figure 6



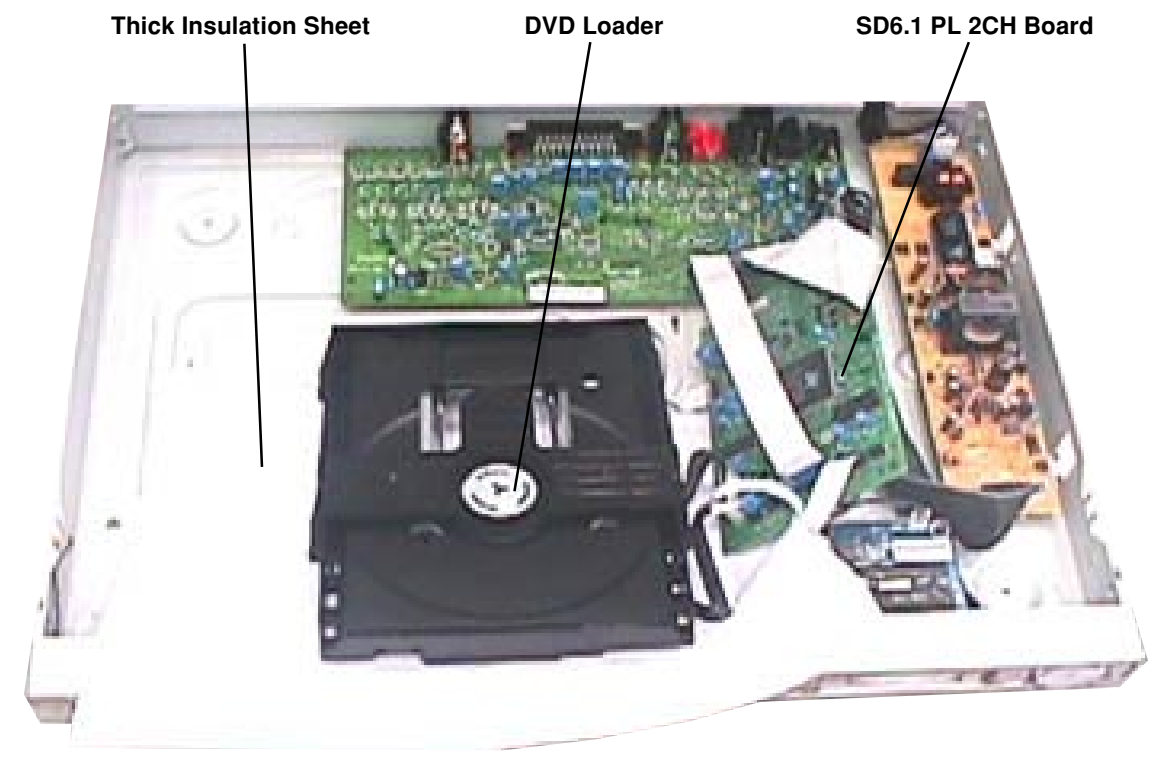
Figure 7

SERVICE POSITIONS

Service position A



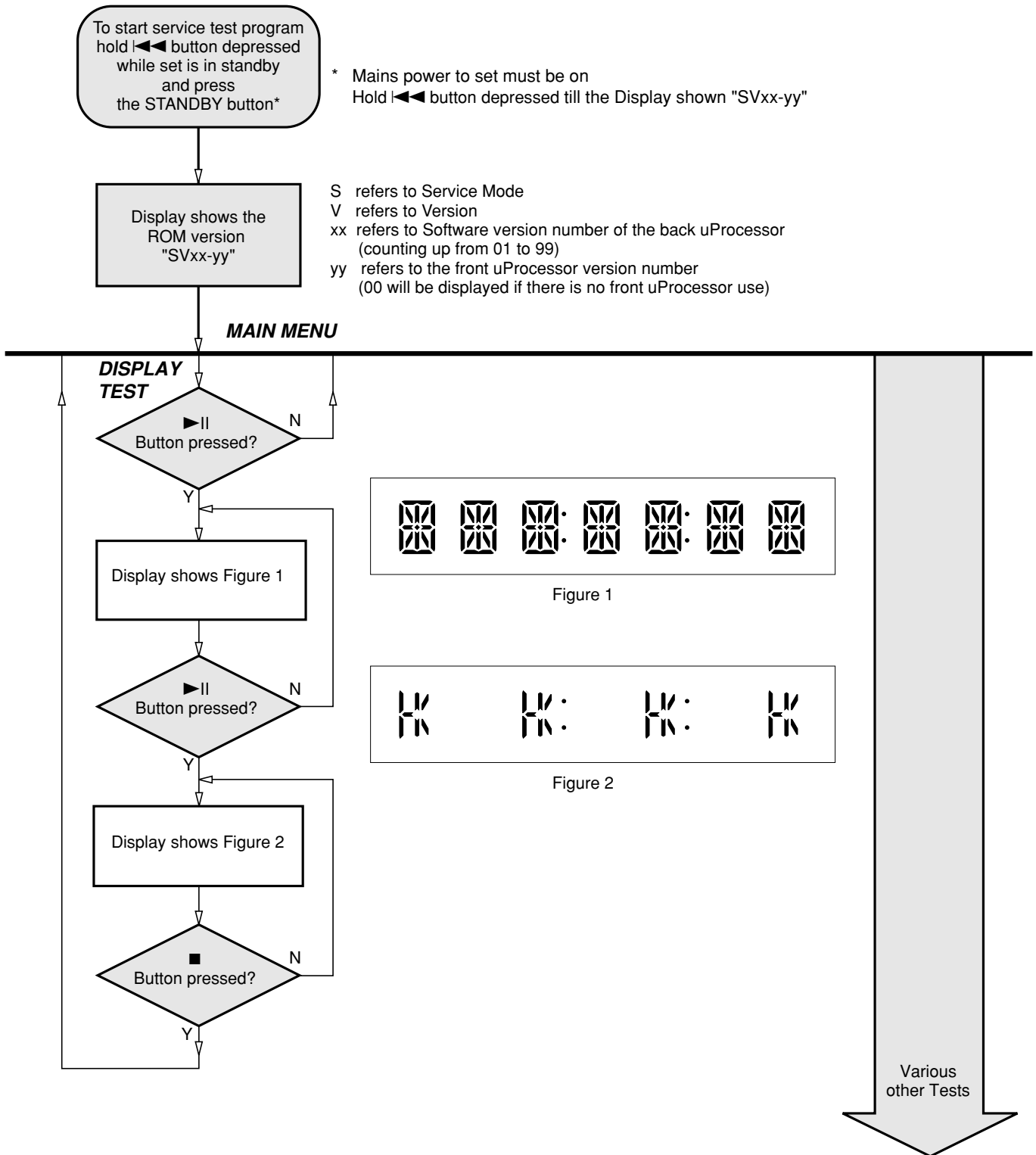
Service position B



Service position C



SERVICE TEST PROGRAM



TEST	Activated with	ACTION
EEPROM FORMAT TEST	◀◀ ◀◀ to Exit	Load default data. Display shows "NEW". Caution! All presets from the customer will be lost!!
LEAVE SERVICE TEST PROGRAM	Disconnect mains cord	

Reprogramming of DVD version Matrix

After repair, the customer setting and region code may be lost. Reprogramming will put the set back in the state in which it has left the factory, ie. with the default setting and the allowed region code.

Model	Region	Region Code	TV System
DVP762/00	Europe	2	PAL
DVP762/02	Europe	2	PAL
DVP762/05	Europe	2	PAL
DVP762/78	Latam	4	MULTI

To reprogram do as follows:

- 1) Power up the set.
- 2) Open tray by press "OPEN/CLOSE" button on the set or press and hold "STOP" button on the RC.
- 3) Press the following buttons on the Remote Control:
 - <9> <9> <9> <9> <AUDIO> <1> for DVP762/00
 - <9> <9> <9> <9> <AUDIO> <3> for DVP762/02
 - <9> <9> <9> <9> <AUDIO> <4> for DVP762/05
 - <9> <9> <9> <9> <AUDIO> <7> for DVP762/78
- 4) The display shows 'YYY-ZZ' and the tray will close.
 - YYY = model number (eg. 762, etc.)
 - ZZ = stroke version (eg. 00, 02, 05, etc.)

Procedure for check Software version

- 1) Power up the set.
- 2) Open tray by press "OPEN/CLOSE" button on the set or press and hold "STOP" button on the RC.
- 3) Press "DISPLAY" button on the Remote control.
- 4) The TV screen will shows:

SD6.1 Vxx YYY-ZZ P QQ
SERVO: GGGGGGGG REG:D

xx = version number
 YYY = model number (eg. 762, etc.)
 ZZ = stroke version (eg. 00, 02, 05, etc.)
 P / D = region code
 QQ = version number of front uProcessor
 GGGGGGGG = version for servo code

Procedure to upgrade software

- 1) Power up the set.
- 2) Open tray by press "OPEN/CLOSE" button on the set or press and hold "STOP" button on the RC.
- 3) Place upgrade CD-ROM onto tray and close.
- 4) The set will response and display the following:
 - **LOAD** [After the disc is read, the tray will open for you to remove the disc]
 - **ERASE**
 - **WRITE**
 - **ERROR** [if upgrade is unsuccessful]
 - **UPG END -> PHILIPS** [if upgrade is successful]
 - **DISC->CLOSE->LOAD** [Tray will close indicating that the upgrade process is completed]
- 5) The whole process should not take more than 5 minutes.

Caution: Do not unplug the set until upgrade is completed.

Trade Mode

Trade mode is a feature that will block all set keys when enabled. It is for dealers to prevent customers from removing disc, changing source etc using the set keys. Rotary and Remote Control (RC) keys are still allowed in Trade mode.

To activate Trade Mode:

- 1) Power up the set.
- 2) Open tray by press "OPEN/CLOSE" button on the set or press and hold "STOP" button on the RC.
- 3) Then press buttons <2> <5> <9> on the RC.
- 4) The display shows '**TRA ON**' and the tray will close. Trade Mode is now enabled.

To deactivate Trade Mode:

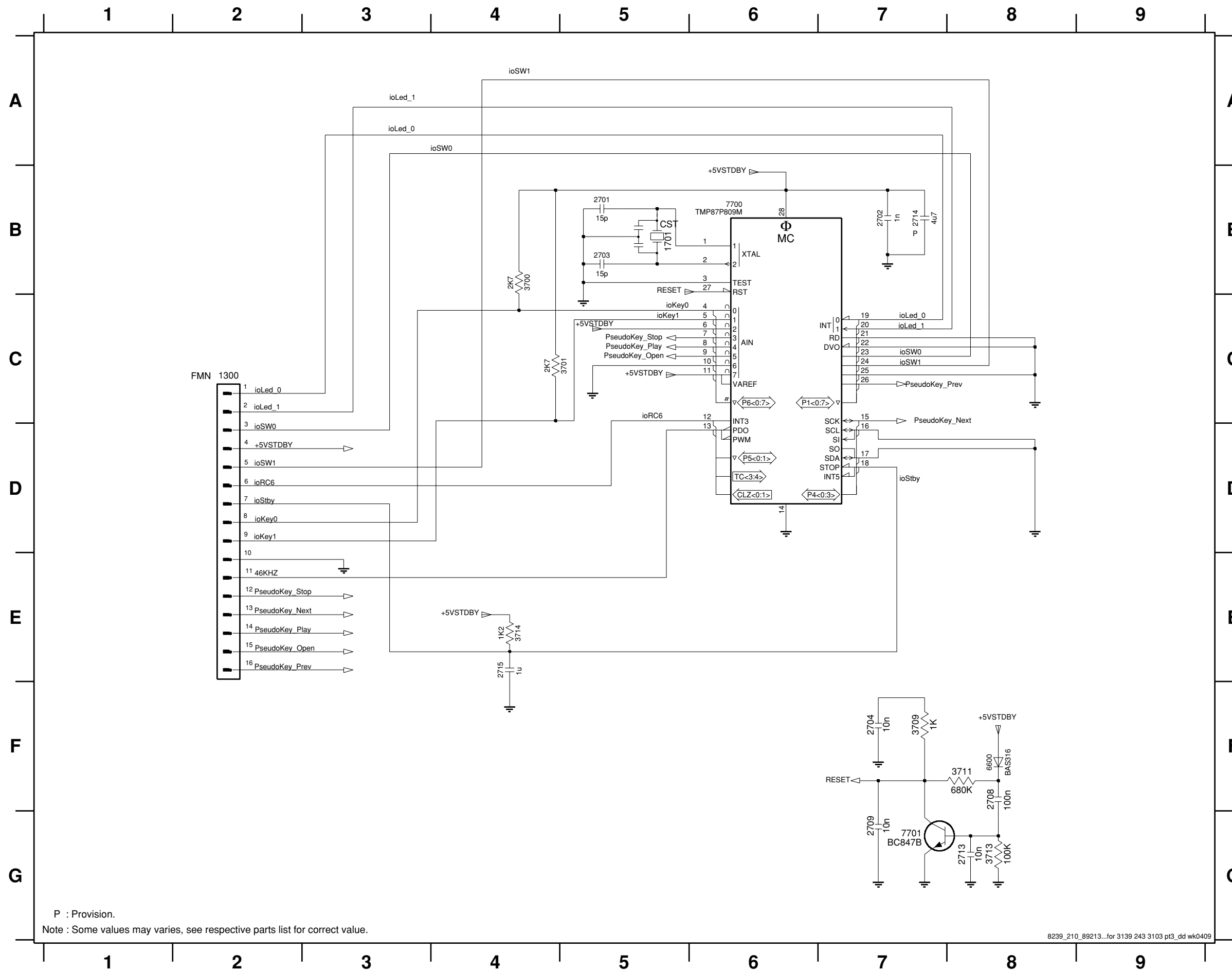
- 1) Power up the set.
- 2) Open tray by press and hold "STOP" button on the RC.
- 3) Then press buttons <2> <5> <9> on the RC.
- 4) The display shows '**TRA OFF**' and the tray will close. Trade Mode is now disabled.

ECO BOARD

TABLE OF CONTENTS

Circuit Diagram	5-2
Component & Chip Layout	5-3
Electrical parts list.....	5-3

ECO BOARD - CIRCUIT DIAGRAM

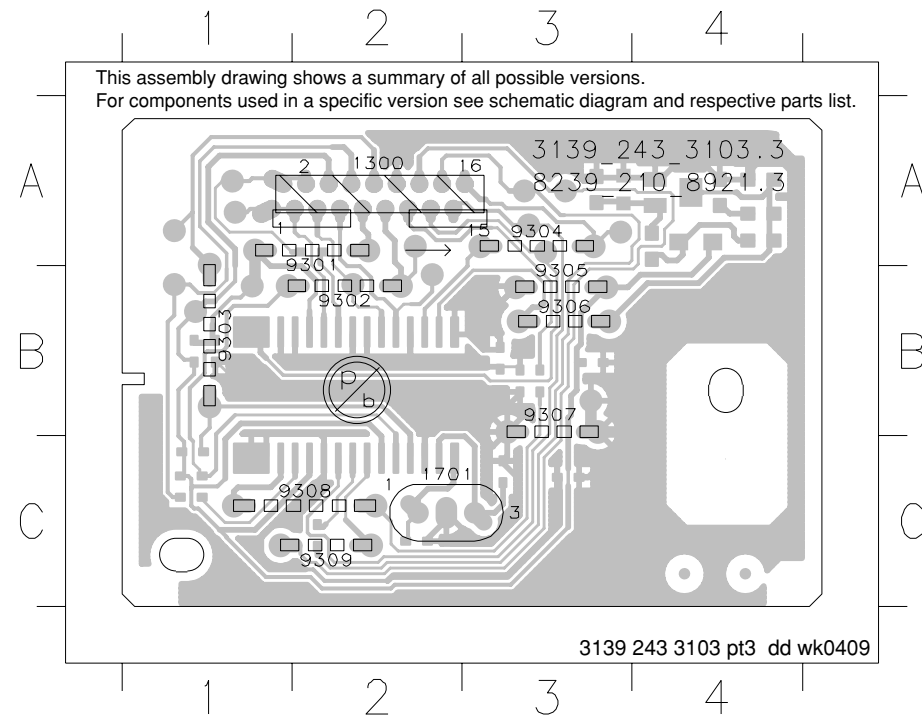


- 1300 C2
- 1701 B5
- 2701 B5
- 2702 B7
- 2703 B5
- 2704 F7
- 2708 F8
- 2709 G7
- 2713 G8
- 2714 B7
- 2715 E4
- 3700 B4
- 3701 C5
- 3709 F7
- 3711 F8
- 3713 G8
- 3714 E4
- 6600 F8
- 7700 B6
- 7701 G7

P : Provision.
 Note : Some values may varies, see respective parts list for correct value.

ECO BOARD - COMPONENT LAYOUT

1300 A2	9302 B2	9305 B3	9308 C2
1701 C2	9303 B1	9306 B3	9309 C2
9301 A2	9304 A3	9307 B3	



ELECTRICAL PARTS LIST - ECO BOARD

MISCELLANEOUS

1300	2422 025 18364	Flex Connector 16P
1701	2422 540 98518	RES CER 8MHz

DIODES

6600	4822 130 11397	BAS316
------	----------------	--------

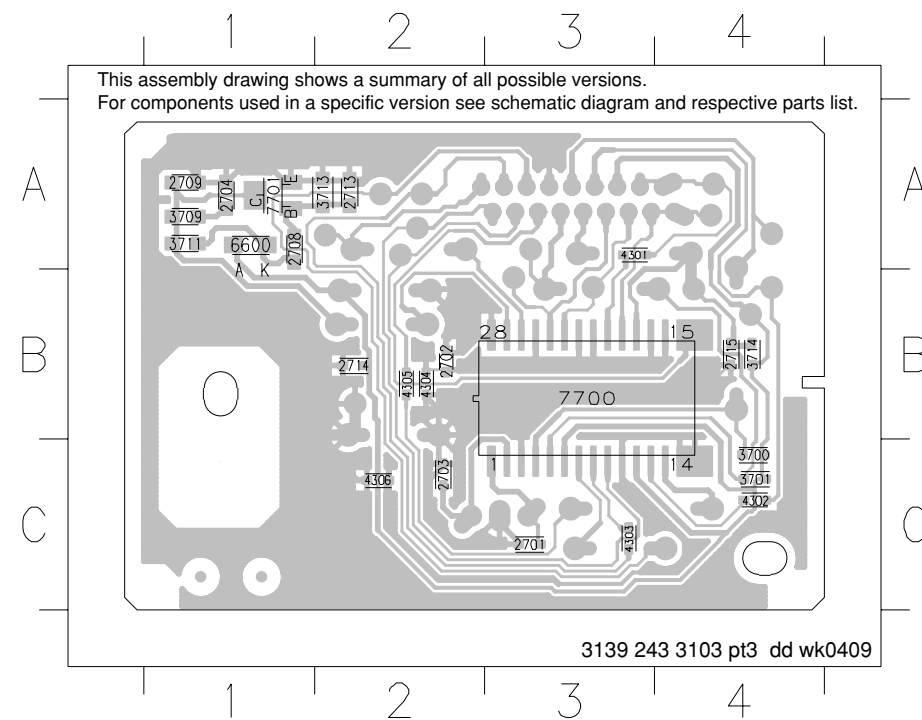
TRANSISTORS & INTEGRATED CIRCUITS

7700	3139 240 50831	TMP87C809BM - 'LX3950S50831'
7701	5322 130 60159	BC847B

Note : Only the parts mentioned in this list are normal service spare parts.

ECO BOARD - CHIP LAYOUT

2701 C3	2709 A1	3701 C4	4301 A3	4306 C2
2702 B2	2713 A2	3709 A1	4302 C4	6600 A1
2703 C2	2714 B2	3711 A1	4303 C3	7700 B3
2704 A1	2715 B4	3713 A2	4304 B2	7701 A1
2708 A1	3700 C4	3714 B4	4305 B2	

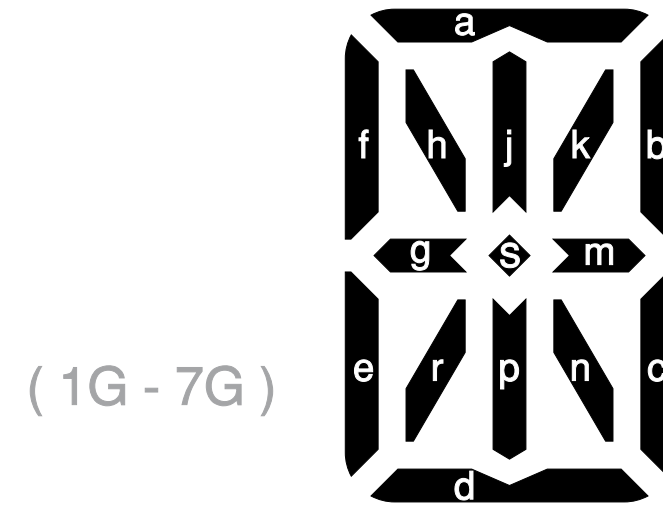
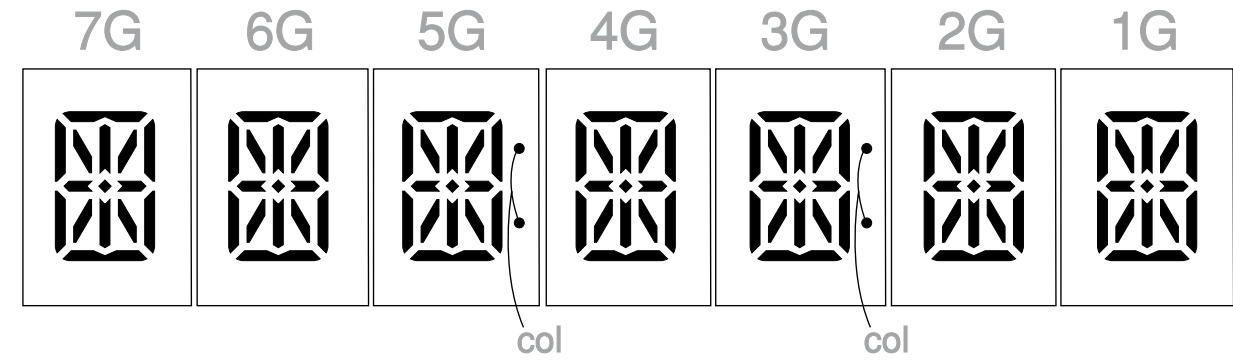


FRONT BOARD

TABLE OF CONTENTS

FTD Display Pin Connection 6-1
 Front Display part - Component & Chip Layout 6-2
 Front Display part - Circuit Diagram 6-3
 Standby part - Layout & Circuit diagram 6-4
 Electrical parts list 6-4

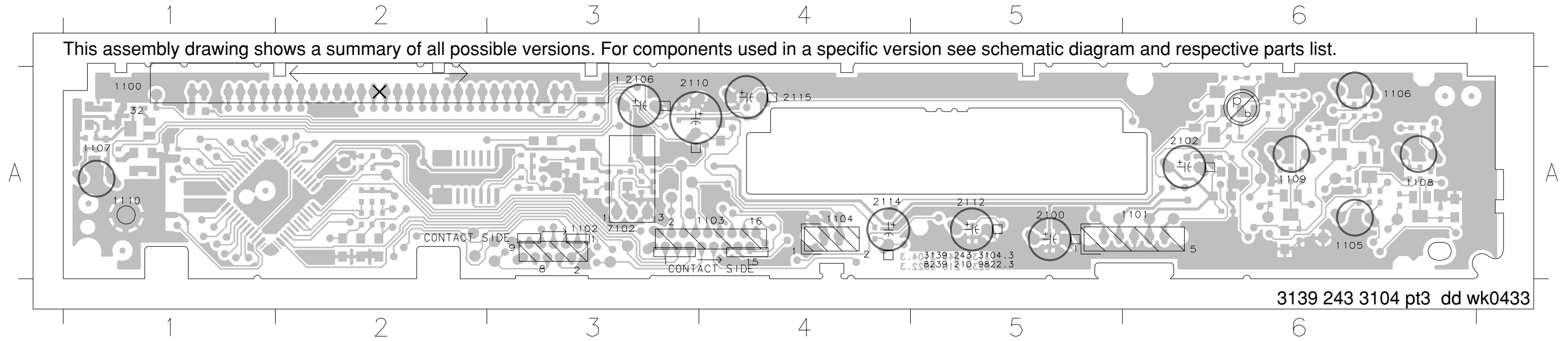
FTD DISPLAY PIN CONNECTION



	7G	6G	5G	4G	3G	2G	1G
P1	a	a	a	a	a	a	a
P2	j, p	j, p	j, p	j, p	j, p	j, p	j, p
P3	h	h	h	h	h	h	h
P4	k	k	k	k	k	k	k
P5	b	b	b	b	b	b	b
P6	f	f	f	f	f	f	f
P7	m	m	m	m	m	m	m
P8	g	g	g	g	g	g	g
P9	c	c	c	c	c	c	c
P10	e	e	e	e	e	e	e
P11	r	r	r	r	r	r	r
P12	n	n	n	n	n	n	n
P13	d	d	d	d	d	d	d
P14	-	-	col	-	col	-	-
P15	s	s	s	s	s	s	s

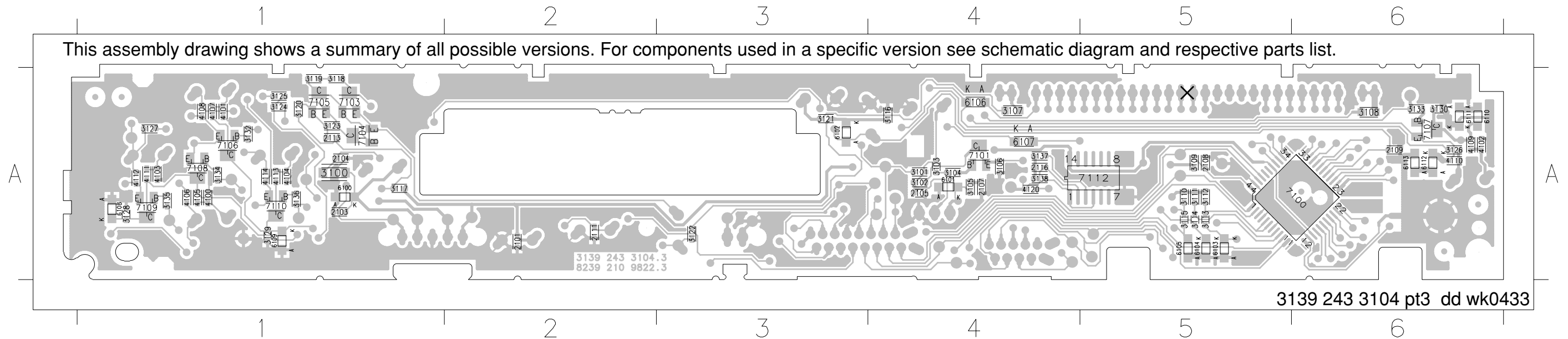
FRONT DISPLAY BOARD - COMPONENT LAYOUT

1100 A1 1102 A3 1104 A4 1106 A6 1108 A6 1110 A1 2102 A6 2110 A3 2114 A4 7102 A3
 1101 A6 1103 A4 1105 A6 1107 A1 1109 A6 2100 A5 2106 A3 2112 A5 2115 A4

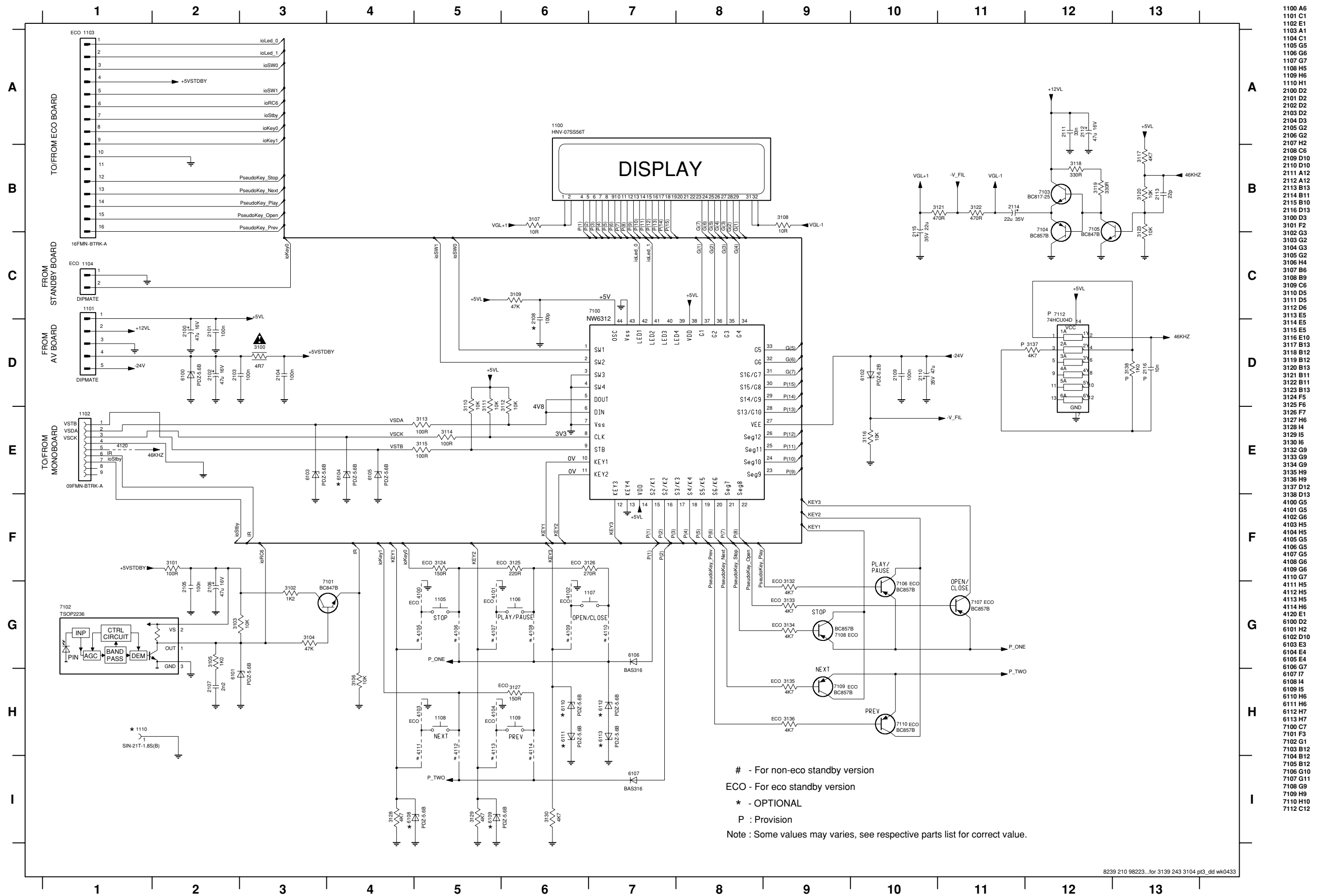


FRONT DISPLAY BOARD - CHIP LAYOUT

2101 A2 2108 A5 3100 A1 3105 A4 3110 A5 3115 A5 3120 A1 3125 A1 3130 A6 3136 A1 4102 A6 4107 A1 4112 A1 6101 A4 6106 A4 6111 A6 7103 A1 7108 A1
 2103 A1 2109 A6 3101 A4 3106 A4 3111 A5 3116 A4 3121 A3 3126 A6 3132 A1 3137 A4 4103 A1 4108 A1 4113 A1 6102 A3 6107 A4 6112 A6 7104 A1 7109 A1
 2104 A1 2111 A2 3102 A4 3107 A4 3112 A5 3117 A1 3122 A3 3127 A1 3133 A6 3138 A4 4104 A1 4109 A6 4114 A1 6103 A5 6108 A1 6113 A6 7105 A1 7110 A1
 2105 A4 2113 A1 3103 A4 3108 A6 3113 A5 3118 A1 3123 A1 3128 A1 3134 A1 4100 A1 4105 A1 4110 A6 4120 A4 6104 A5 6109 A1 7100 A6 7106 A1 7112 A5
 2107 A4 2116 A4 3104 A4 3109 A5 3114 A5 3119 A1 3124 A1 3129 A1 3135 A1 4101 A1 4106 A1 4111 A1 6100 A1 6105 A5 6110 A6 7101 A4 7107 A6



FRONT DISPLAY BOARD - CIRCUIT DIAGRAM

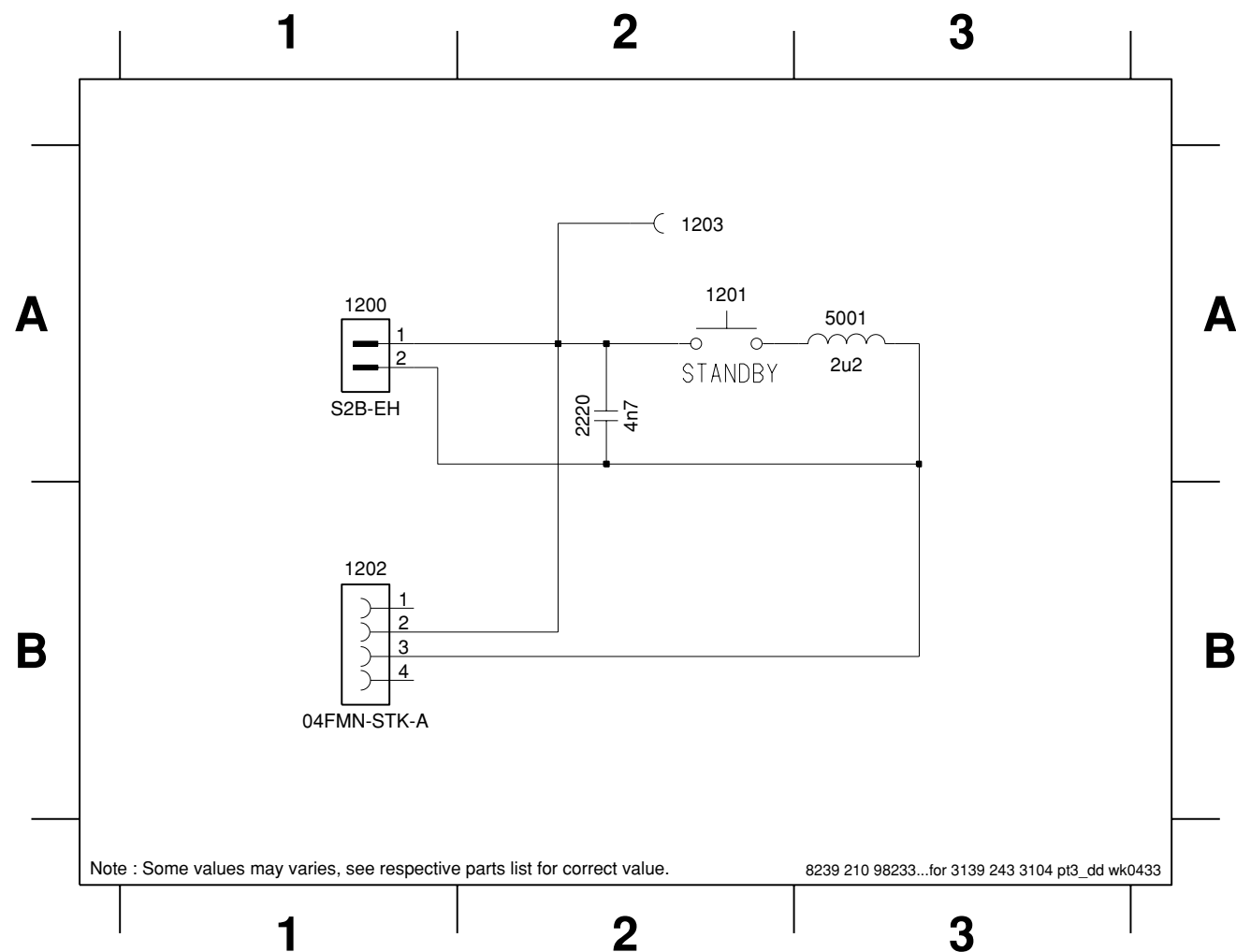


- For non-eco standby version
 ECO - For eco standby version
 * - OPTIONAL
 P : Provision
 Note : Some values may varies, see respective parts list for correct value.

- 1100 A6
- 1101 C1
- 1102 E1
- 1103 A1
- 1104 C1
- 1105 G5
- 1106 G6
- 1107 G7
- 1108 H5
- 1109 H6
- 1110 H1
- 2100 D2
- 2101 D2
- 2102 D2
- 2103 D2
- 2104 D3
- 2105 G2
- 2106 G2
- 2107 H2
- 2108 C6
- 2109 D10
- 2110 D10
- 2111 A12
- 2112 A12
- 2113 B13
- 2114 B11
- 2115 B10
- 2116 D13
- 3100 D3
- 3101 F2
- 3102 G3
- 3103 G2
- 3104 G3
- 3105 G4
- 3106 H4
- 3107 B6
- 3108 B9
- 3109 C6
- 3110 D5
- 3111 D5
- 3112 D5
- 3113 E5
- 3114 E5
- 3115 E5
- 3116 E10
- 3117 B13
- 3118 B12
- 3119 B12
- 3120 B13
- 3121 B11
- 3122 B11
- 3123 B13
- 3124 F5
- 3125 F6
- 3126 F7
- 3127 H6
- 3128 I4
- 3129 I5
- 3130 I6
- 3132 G9
- 3133 G9
- 3134 G9
- 3135 H9
- 3137 D12
- 3138 D13
- 4100 G5
- 4101 G5
- 4102 G6
- 4103 H5
- 4104 H5
- 4105 G5
- 4106 G5
- 4107 G5
- 4108 G6
- 4109 G6
- 4110 G7
- 4111 H5
- 4112 H5
- 4113 H5
- 4114 H6
- 4120 E1
- 6100 D2
- 6101 H2
- 6102 D10
- 6103 E3
- 6104 E4
- 6105 E4
- 6106 G7
- 6107 I7
- 6108 I4
- 6109 I5
- 6110 H6
- 6111 H6
- 6112 H7
- 6113 H7
- 7100 C7
- 7101 F3
- 7102 G1
- 7103 B12
- 7104 B12
- 7105 B12
- 7106 G10
- 7107 C11
- 7108 G9
- 7109 H9
- 7110 H10
- 7112 C12

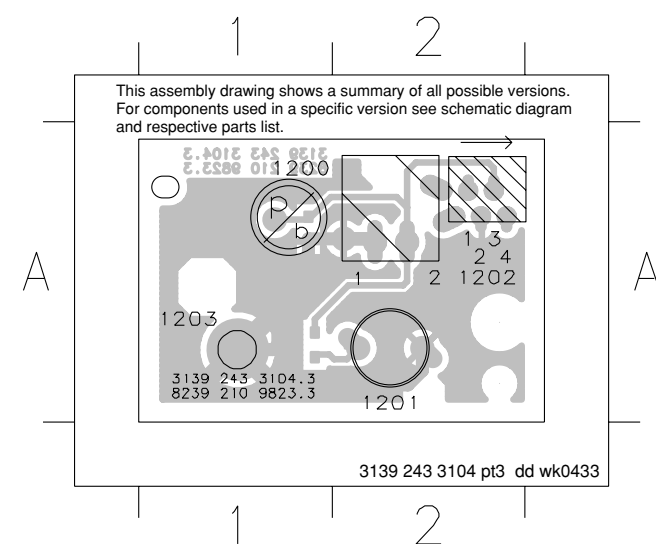
STANDBY BOARD - CIRCUIT DIAGRAM

1200 A1 1201 A2 1202 B1 1203 A2 2220 A2 5001 A3



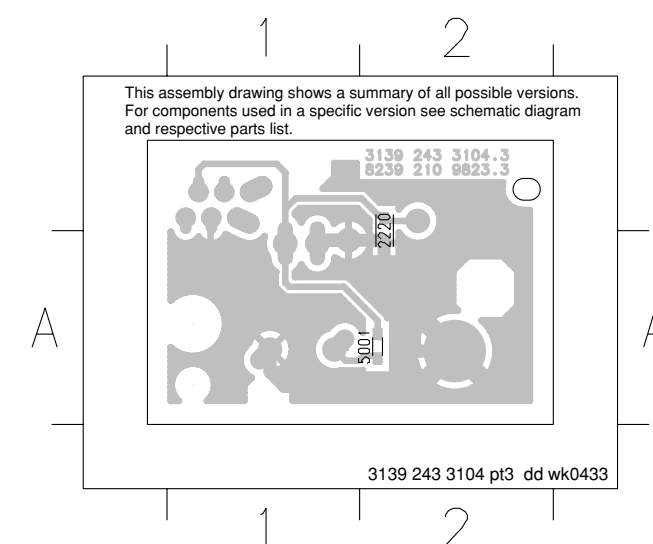
STANDBY BOARD - COMPONENT LAYOUT

1200 A1 1202 A2
1201 A2 1203 A1



STANDBY BOARD - CHIP LAYOUT

2220 A2 5001 A2



ELECTRICAL PARTS LIST - FRONT BOARD

MISCELLANEOUS

1100	3139 240 50661	FTD HNV-07SS56T	6107	4822 130 11397	DIO SIG SM BAS316
1102	2422 025 16586	FLEX CONNECTOR 9P	6108	3198 020 55680	DIO REG SM PDZ5.6B
1103	2422 025 18364	FLEX CONNECTOR 16P	6109	3198 020 55680	DIO REG SM PDZ5.6B
1105	4822 276 13775	TACT SWITCH	6110	3198 020 55680	DIO REG SM PDZ5.6B
1106	4822 276 13775	TACT SWITCH	6111	3198 020 55680	DIO REG SM PDZ5.6B
1107	4822 276 13775	TACT SWITCH	6112	3198 020 55680	DIO REG SM PDZ5.6B
1108	4822 276 13775	TACT SWITCH	6113	3198 020 55680	DIO REG SM PDZ5.6B
1109	4822 276 13775	TACT SWITCH			
1201	4822 276 13775	TACT SWITCH			

RESISTORS

3100	4822 117 11152	△ RST SM FUSE 1206 4R7 5%
------	----------------	---------------------------

COILS & FILTERS

5001	3198 018 52280	FXD IND SM 0603 2U2 10%
------	----------------	-------------------------

DIODES

6100	3198 020 55680	DIO REG SM PDZ5.6B
6101	3198 020 55680	DIO REG SM PDZ5.6B
6102	9340 548 54115	DIO REG SM PDZ6.2B
6103	3198 020 55680	DIO REG SM PDZ5.6B
6105	3198 020 55680	DIO REG SM PDZ5.6B
6106	4822 130 11397	DIO SIG SM BAS316

TRANSISTORS & INTEGRATED CIRCUITS

7100	9322 186 03671	IC SM UPD16312GB-3B4
7101	5322 130 60159	BC847B
7102	9322 155 82667	IR RECEIVER TSOP2236LL1
7103	4822 130 42804	BC817-25
7104	4822 130 60373	BC857B
7105	5322 130 60159	BC847B
7106	4822 130 60373	BC857B
7107	4822 130 60373	BC857B
7108	4822 130 60373	BC857B
7109	4822 130 60373	BC857B
7110	4822 130 60373	BC857B

Note : Only the parts mentioned in this list are normal service spare parts.

BRIEF INTRODUCTION OF THE AV BOARD

The AV Board consists of the following features :

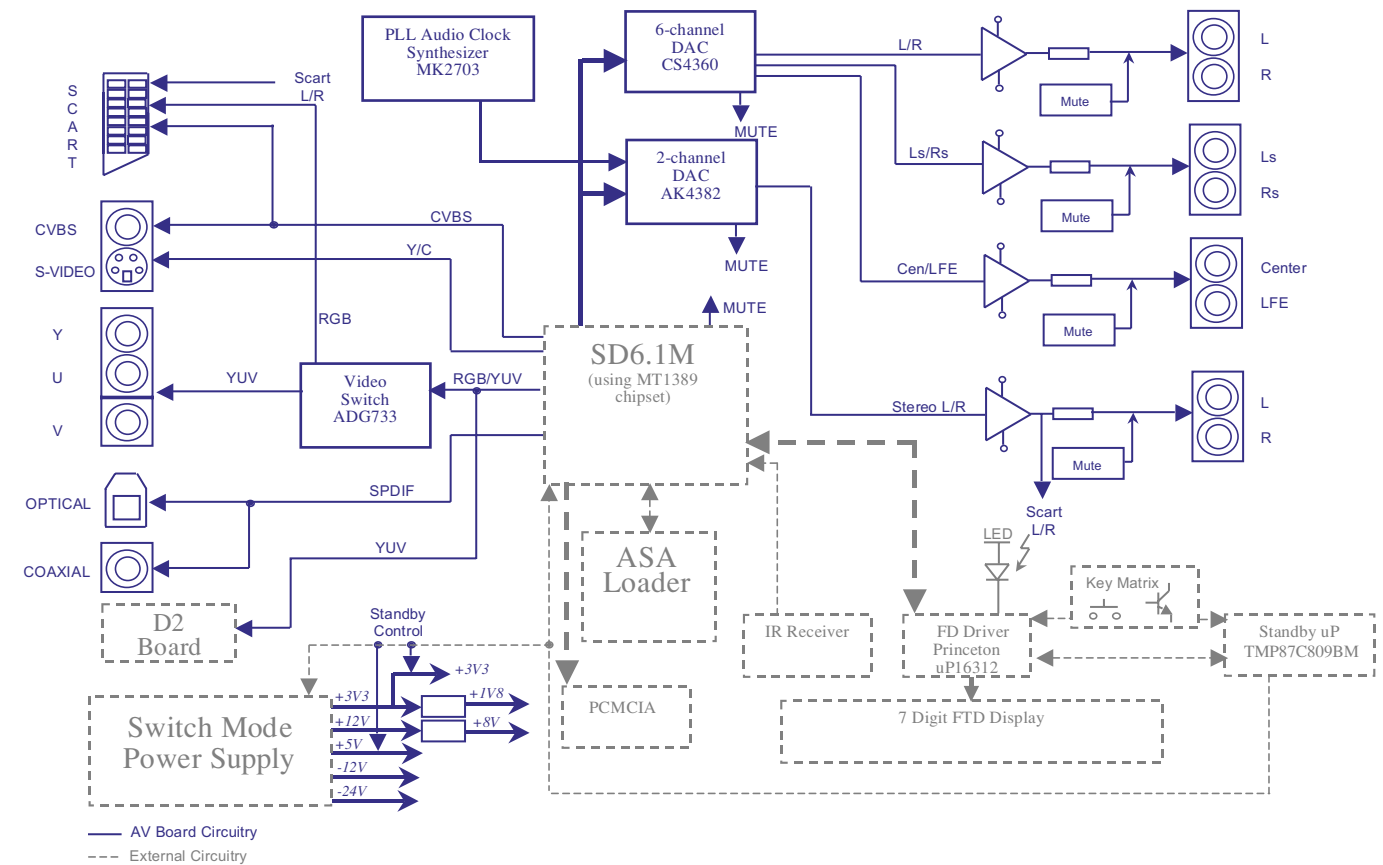
- A. VIDEO OUTPUT
 - CVBS
 - S-Video
 - YUV
 - Scart RGB (For Europe Model)
 - Progressive Scan
- B. AUDIO OUTPUT
 - Stereo / 6 Channel
 - Coaxial / Optical

AV BOARD

TABLE OF CONTENTS

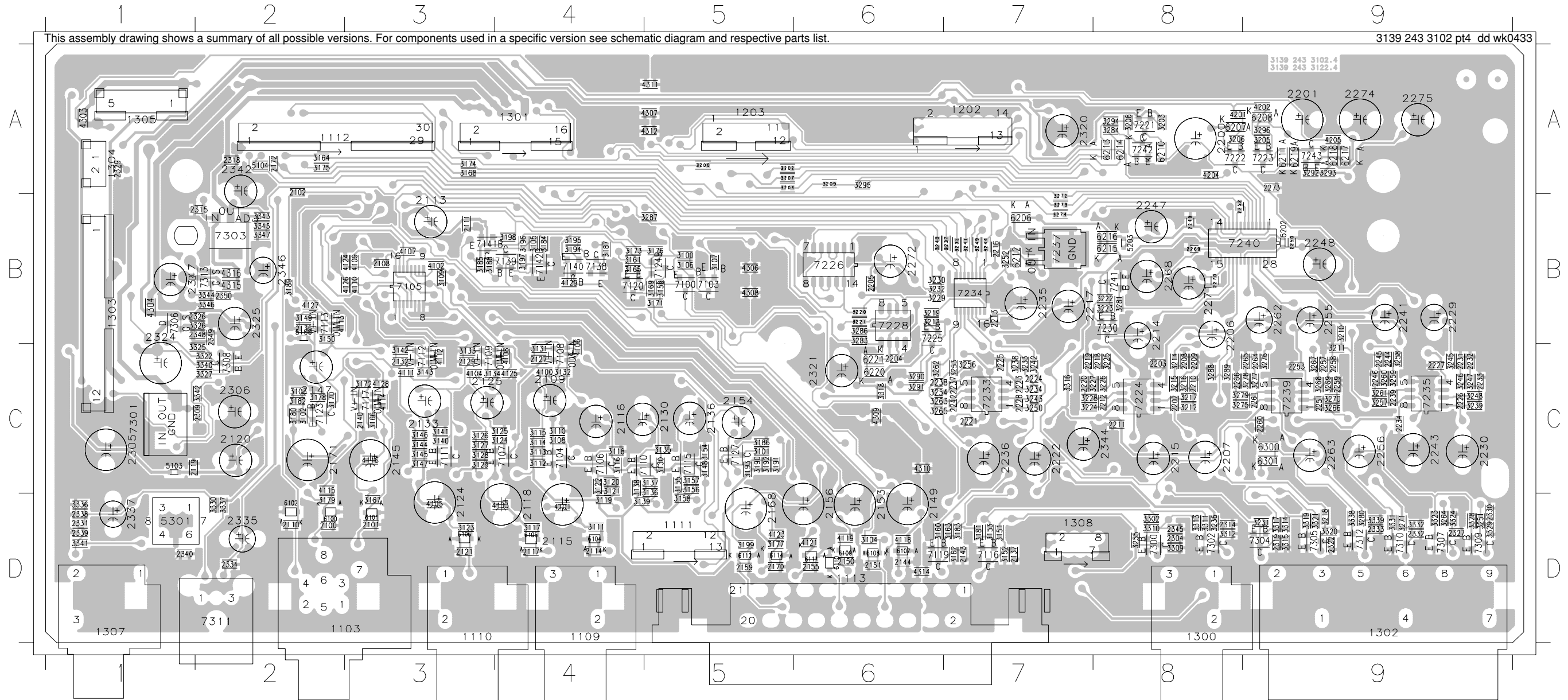
Brief Introduction of the AV Board 7-1
 Block Diagram 7-1
 Top View Layout 7-2
 Bottom View Layout 7-3
 Circuit Diagram (Part 1) 7-4
 Circuit Diagram (Part 2) 7-5
 Circuit Diagram (Part 3) 7-6
 Electrical parts list 7-7

AV BOARD - BLOCK DIAGRAM



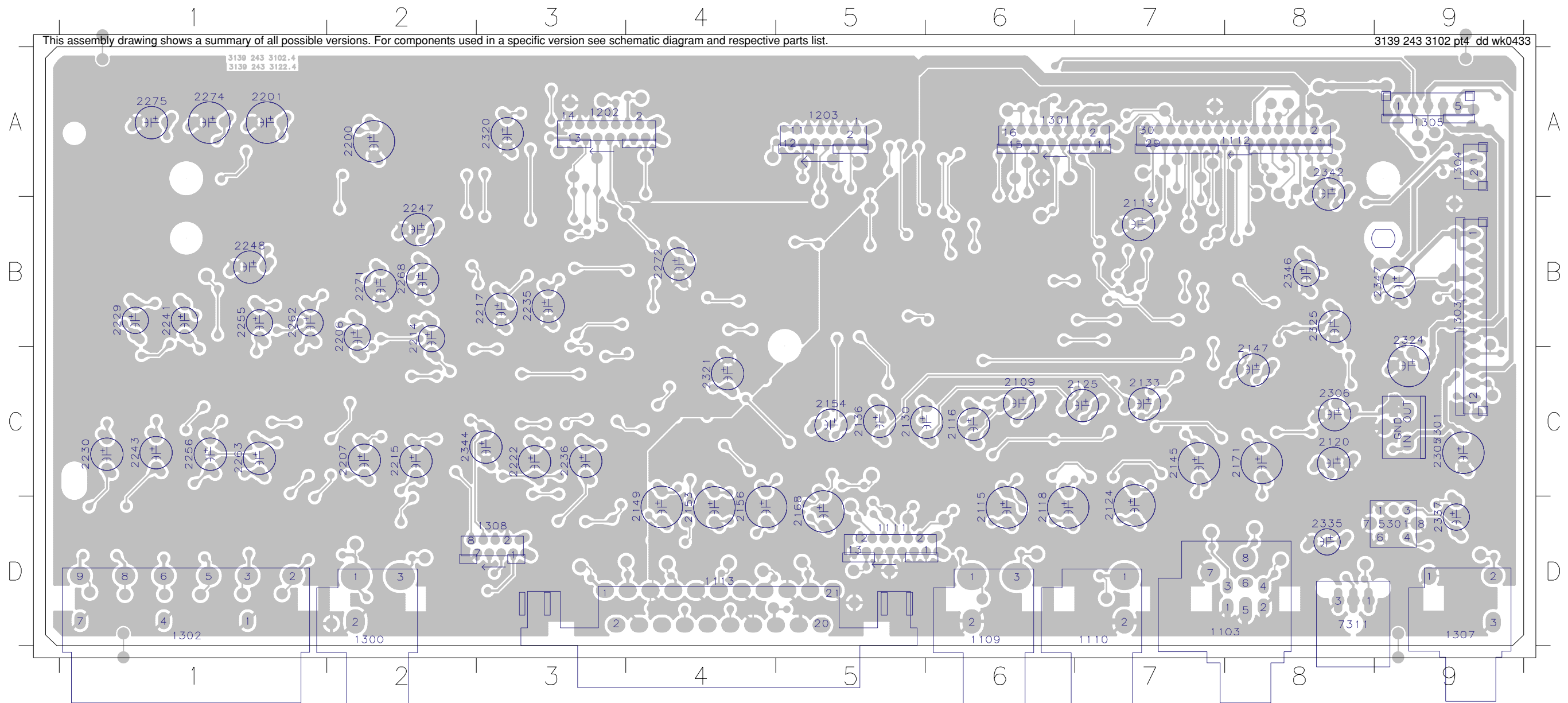
AV BOARD - TOP VIEW LAYOUT

1103	D2	2120	C2	2201	A9	2231	C9	2263	C9	2332	D9	3114	C4	3144	C3	3174	A3	3205	A9	3235	B7	3265	C6	3302	D8	3341	D1	4126	B3	6105	D4	7106	C4	7234	B7
1109	D4	2121	D3	2202	C8	2232	C9	2264	C9	2333	D9	3115	C4	3145	C3	3175	A2	3206	A8	3236	D8	3266	C9	3309	D8	3342	C2	4127	B2	6106	D3	7107	C4	7235	C9
1110	D3	2124	D3	2203	C8	2233	C9	2265	C9	2334	D2	3116	C4	3146	C3	3176	B5	3207	A5	3237	B7	3267	C9	3310	D8	3343	C2	4128	C3	6107	D6	7108	C4	7237	B7
1111	D5	2125	C3	2204	C6	2234	C9	2266	C8	2335	D2	3117	D4	3147	C3	3177	D5	3208	A8	3238	C7	3268	C9	3311	D8	3344	B2	4129	B4	6108	D6	7109	C3	7239	C9
1112	A2	2127	C4	2205	B6	2235	B7	2268	B8	2337	D1	3118	C4	3148	B5	3178	C2	3209	A6	3239	C9	3269	C9	3312	D8	3345	B2	4201	A8	6109	D6	7110	C4	7240	B9
1113	D6	2129	C3	2206	B8	2236	C7	2269	B8	2338	D1	3119	D4	3149	B2	3179	D2	3210	B9	3240	B6	3270	C9	3313	D8	3346	B2	4202	A9	6110	D6	7111	C4	7241	B8
1202	A7	2130	C4	2207	C8	2237	C7	2270	B8	2339	D1	3120	C4	3150	B2	3180	C2	3211	C9	3241	B7	3271	D9	3314	D9	3347	B2	4204	A8	6111	D6	7112	C3	7242	A8
1203	A5	2132	C3	2208	C8	2238	C6	2271	B8	2340	D1	3121	C4	3151	D7	3181	D7	3212	C8	3242	C7	3272	B7	3315	D9	4100	C4	4205	A9	6112	D5	7113	B2	7243	A9
1300	D8	2133	C3	2209	C8	2239	C9	2272	B6	2342	A2	3122	C4	3152	D7	3182	C2	3213	B6	3243	C7	3273	B7	3316	C7	4101	D4	4303	A1	6114	D5	7115	C5	7300	D8
1301	A4	2135	B2	2210	C8	2241	B9	2273	A9	2344	C8	3123	D3	3153	D7	3183	D7	3214	C8	3244	B7	3274	B7	3317	D9	4102	B3	4304	B1	6206	B7	7116	D7	7301	C1
1302	D9	2136	C5	2211	C8	2242	C7	2274	A9	2345	D8	3124	C4	3154	C5	3184	B4	3215	C8	3245	C9	3275	C8	3318	C6	4103	D4	4306	B5	6207	A8	7117	C3	7302	D8
1303	B1	2137	D7	2212	C8	2243	C9	2275	A9	2346	B2	3125	C4	3155	C5	3185	B3	3216	C8	3246	C9	3276	C9	3319	D9	4104	C3	4307	A5	6208	A9	7119	D6	7303	B2
1304	A1	2140	C3	2213	B7	2244	C9	2276	A9	2347	B1	3126	C3	3156	C5	3186	C5	3217	C8	3247	C9	3277	C9	3320	D9	4105	D3	4308	B5	6210	A8	7120	B4	7304	D9
1305	A1	2143	D7	2214	B8	2245	C9	2277	A9	2348	B2	3127	C3	3157	D5	3187	B4	3218	D9	3248	C9	3278	C9	3321	D9	4106	C4	4309	C6	6211	A9	7123	C2	7305	D9
1307	D1	2144	D6	2215	C8	2246	C9	2278	A9	2349	B2	3128	C3	3158	D5	3188	B3	3219	B6	3249	B7	3279	C8	3322	C2	4107	B3	4310	C6	6212	B7	7124	B5	7306	B1
1308	D7	2145	C3	2216	B7	2247	B8	2279	A9	2350	B2	3129	C3	3159	B5	3189	B2	3220	B6	3250	C7	3280	D9	3323	D9	4108	C4	4311	A5	6213	A8	7127	C5	7307	D9
2100	D2	2147	C2	2217	B7	2248	B9	2314	D8	3100	B5	3130	C5	3160	D6	3190	C5	3221	B6	3251	D9	3281	B8	3324	D9	4109	B3	4312	A5	6214	A8	7138	B4	7308	C2
2101	D3	2149	D6	2218	C8	2249	B8	2315	B2	3101	C5	3131	C4	3161	B4	3191	C5	3222	B8	3252	B7	3282	B6	3325	C2	4110	B3	4314	D6	6215	B8	7139	B4	7309	D9
2102	A2	2150	D6	2219	C7	2250	B9	2318	A2	3102	C2	3132	C4	3162	D7	3192	C5	3223	B8	3253	C7	3284	A8	3326	B2	4111	C3	4315	B2	6216	B8	7140	B4	7310	D9
2108	B3	2151	D6	2220	C7	2251	C9	2319	D9	3103	C2	3133	C3	3163	D7	3193	C5	3224	C7	3254	C6	3286	B6	3327	C2	4112	C2	4316	B2	6217	A9	7141	B3	7311	D2
2109	C4	2153	D6	2221	C7	2252	B8	2320	A7	3104	D6	3134	C3	3164	A2	3194	B4	3225	C8	3255	D8	3287	B5	3328	D9	4113	B2	5100	B2	6218	A9	7142	B4	7312	D9
2110	D2	2154	C5	2222	C7	2253	C9	2321	C6	3105	B4	3135	C5	3165	B4	3195	B4	3226	C8	3256	C7	3288	C8	3329	D9	4114	C3	5103	C1	6219	A9	7221	A8	7313	B2
2111	B3	2155	D6	2223	C7	2255	B9	2322	D9	3106	B5	3136	C5	3166	C3	3196	B4	3227	C7	3257	C9	3289	C8	3330	D2	4115	C2	5104	A2	6220	C6	7222	A8		
2113	B3	2156	D6	2224	C7	2256	C9	2324	B1	3107	B5	3137	C5	3167	D3	3197	B4	3228	C7	3258	C9	3290	C6	3331	D9	4116	C2	5202	B9	6221	C6	7223	A9		
2114	D4	2159	D5	2225	C7	2257	C9	2325	B2	3108	C4	3138	C4	3168	A3	3198	B4	3229	B6	3259	C9	3291	C6	3332	D9	4118	D6	5203	B8	6300	C9	7224	C8		
2115	D4	2168	D5	2226	C9	2258	C9	2326	B2	3109	B3	3139	D4	3169	B5	3199	D5	3230	B6	3260	C9	3292	A9	3336	D1	4119	D6	5301	D1	6301	C9	7225	B6		
2116	C4	2170	D5	2227	C9	2259	C9	2327	D9	3110	C4	3140	C3	3170	C2	3200	A5	3231	D9	3261	C9	3293	A9	3337	D2	4121	D6	6100	D2	7100	B5	7226	B6		
2117	D4	2171	C2	2228	C7	2260	C9	2329	A1	3111	D4	3141	C3	3171	B5	3202	A5	3232	B6	3262	C6	3294	A8	3338	D9	4123	D5	6101	D3	7103	B5	7228	B6		
2118	D4	2172	A2	2229	B9	2261	C9	2330	D9	3112	C4	3142	C3	3172	C3	3203	A8	3233	C7	3263	C6	3295	A6	3339	D9	4124	B3	6102	D2	7104	C4	7230	B8		
2119	C1	2200	A8	2230	C9	2262	B9	2331	D1	3113	C4	3143	C3	3173	B4	3204	A5	3234	C7	3264	D9	3296	A9	3340	C2	4125	C4	6104	D4	7105	B3	7233	C7		

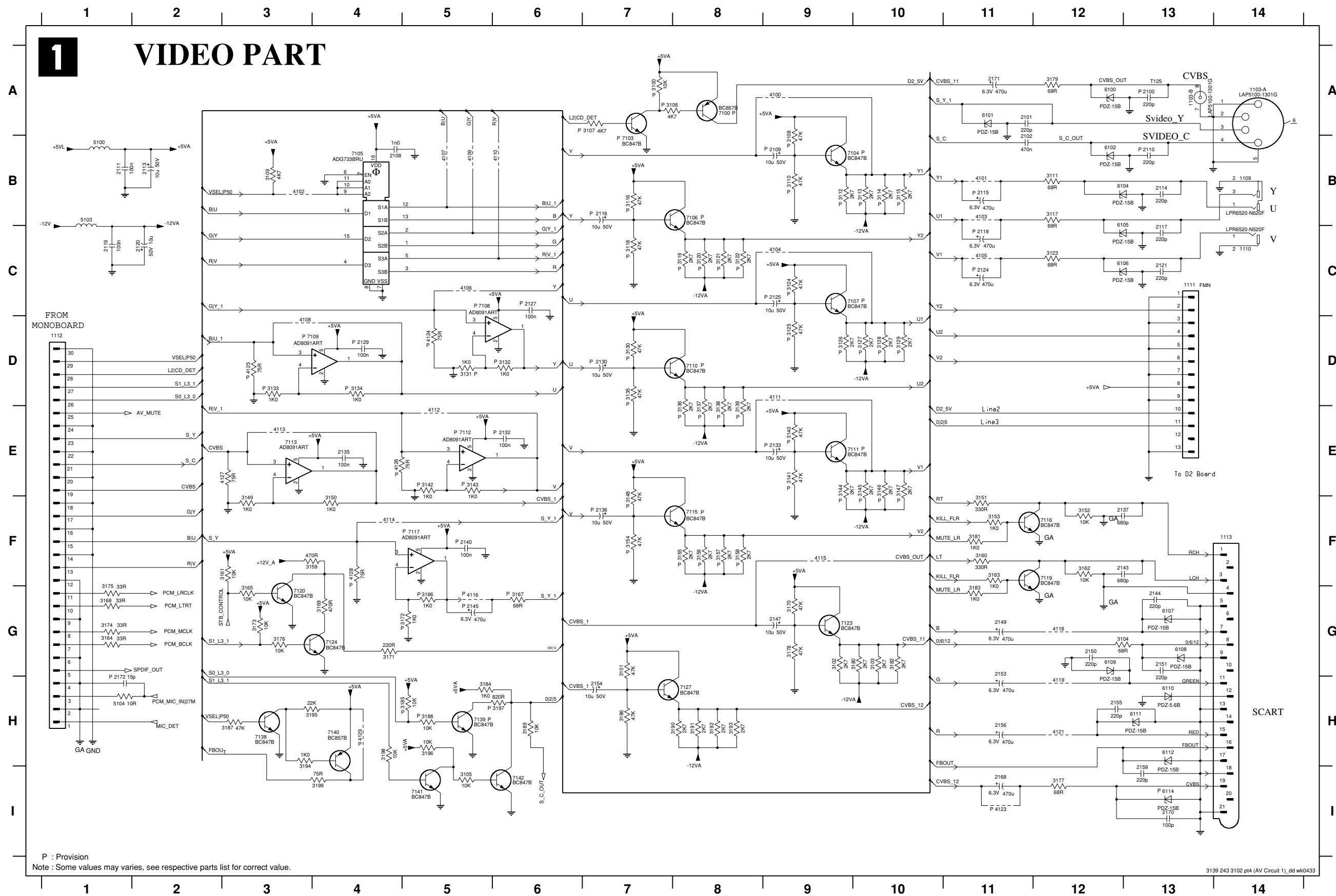


AV BOARD - BOTTOM VIEW LAYOUT

1103 D7	1113 D4	1302 D1	1308 D3	2118 D6	2133 C7	2153 D4	2200 A2	2215 C2	2235 B3	2248 B1	2268 B2	2305 C9	2325 B8	2346 B8
1109 D6	1202 A3	1303 B9	2109 C6	2120 C8	2136 C5	2154 C5	2201 A1	2217 B3	2236 C3	2255 B1	2271 B2	2306 C8	2335 D8	2347 B9
1110 D7	1203 A5	1304 A9	2113 B7	2124 D7	2145 C7	2156 D4	2206 B2	2222 C3	2241 B1	2256 C1	2272 B4	2320 A3	2337 D9	5301 D9
1111 D5	1300 D2	1305 A9	2115 D6	2125 C7	2147 C8	2168 D5	2207 C2	2229 B1	2243 C1	2262 B1	2274 A1	2321 C4	2342 A8	7301 C9
1112 A8	1301 A6	1307 D9	2116 C6	2130 C5	2149 D4	2171 C8	2214 B2	2230 C1	2247 B2	2263 C1	2275 A1	2324 B9	2344 C2	7311 D8



AV BOARD - CIRCUIT DIAGRAM (PART 1)



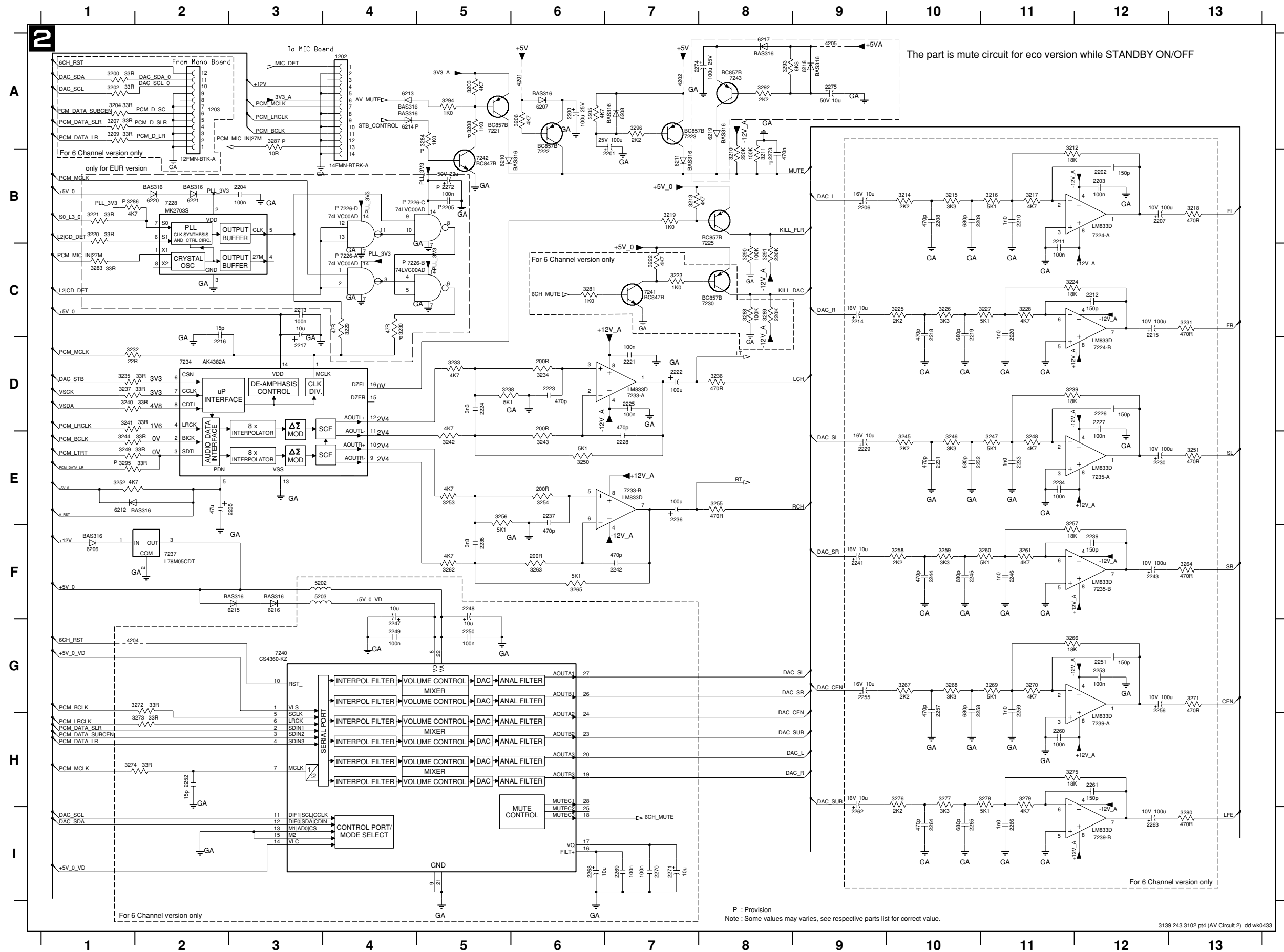
1 VIDEO PART

FROM MONOBOARD

P : Provision
Note : Some values may varies, see respective parts list for correct value.

- 1103-A A14
- 1103-B A13
- 1109 B14
- 1110 C14
- 1111 C13
- 1112 D1
- 1113 F13
- 2100 A13
- 2101 A11
- 2102 B11
- 2108 B4
- 2109 B9
- 2110 B13
- 2111 B1
- 2113 B2
- 2114 B13
- 2115 B11
- 2116 B7
- 2117 C13
- 2118 C11
- 2119 C1
- 2120 C2
- 2121 C13
- 2122 C3
- 2124 C11
- 2125 C9
- 2127 C6
- 2129 D4
- 2130 D7
- 2132 E6
- 2133 E9
- 2135 E4
- 2136 F7
- 2137 F12
- 2140 F5
- 2143 F12
- 2144 G13
- 2145 G5
- 2147 G9
- 2149 G11
- 2150 G12
- 2151 G13
- 2153 G11
- 2154 H7
- 2155 H12
- 2156 H11
- 2159 I13
- 2168 I11
- 2170 I13
- 2171 A11
- 2172 H1
- 3100 A7
- 3101 G7
- 3102 G9
- 3103 G10
- 3104 G12
- 3105 I5
- 3106 A7
- 3107 A7
- 3108 B9
- 3109 B3
- 3110 B9
- 3111 B12
- 3112 B9
- 3113 B10
- 3114 B10
- 3115 B10
- 3116 B7
- 3117 B12
- 3118 C7
- 3119 C8
- 3120 C8
- 3121 C8
- 3122 C8
- 3123 C12
- 3124 C9
- 3125 D9
- 3126 D9
- 3127 D10
- 3128 D10
- 3129 D10
- 3130 D7
- 3131 D5
- 3132 D6
- 3133 D3
- 3134 D4
- 3135 D7
- 3136 E8
- 3137 E8
- 3138 E8
- 3139 E8
- 3140 E9
- 3141 E9
- 3142 E5
- 3143 E5
- 3144 E9
- 3145 E10
- 3146 E10
- 3147 E10
- 3148 F7
- 3149 F3
- 3150 F4
- 3151 F1
- 3152 F12
- 3153 F11
- 3154 F7
- 3155 F8
- 3156 F8
- 3157 F8
- 3158 F8
- 3159 F3
- 3160 F11
- 3161 F3
- 3162 F12
- 3163 F11
- 3164 G1
- 3165 G3
- 3166 G5
- 3167 G6
- 3168 G1
- 3169 G4
- 3170 G9
- 3171 G4
- 3172 G5
- 3173 G3
- 3174 G1
- 3175 F1
- 3176 G3
- 3177 H2
- 3178 G9
- 3179 A12
- 3180 G10
- 3181 F11
- 3182 G10
- 3183 G11
- 3184 H5
- 3185 H5
- 3186 H7
- 3187 H3
- 3188 H5
- 3189 H6
- 3190 H8
- 3191 H8
- 3192 H8
- 3193 H8
- 3194 H3
- 3195 H3
- 3196 H5
- 3197 H6
- 3198 H4
- 3199 I4
- 4100 A9
- 4101 B11
- 4102 B3
- 4103 B11
- 4104 C9
- 4105 C11
- 4106 C5
- 4107 B5
- 4108 D3
- 4109 B5
- 4110 B6
- 4111 D9
- 4112 E5
- 4113 E3
- 4114 F4
- 4115 F9
- 4116 G5
- 4118 G12
- 4119 H12
- 4121 H12
- 4123 I11
- 4124 D5
- 4125 D3
- 4126 E4
- 4127 E3
- 4128 F4
- 4129 H4
- 5100 B1
- 5103 B1
- 5104 H1
- 6100 A12
- 6101 A11
- 6102 B12
- 6104 B12
- 6105 C12
- 6106 C12
- 6107 G13
- 6108 G13
- 6109 G12
- 6110 H13
- 6111 H13
- 6112 H13
- 6114 H13
- 7100 A8
- 7103 B7
- 7104 B9
- 7105 B4
- 7106 B8
- 7107 C9
- 7108 C5
- 7109 D3
- 7110 D8
- 7111 E9
- 7112 E5
- 7113 E3
- 7115 F8
- 7116 F12
- 7117 F5
- 7119 F12
- 7120 G3
- 7123 G9
- 7124 G4
- 7127 H8
- 7128 H3
- 7138 H3
- 7139 H5
- 7140 H4
- 7141 I5
- 7142 I6

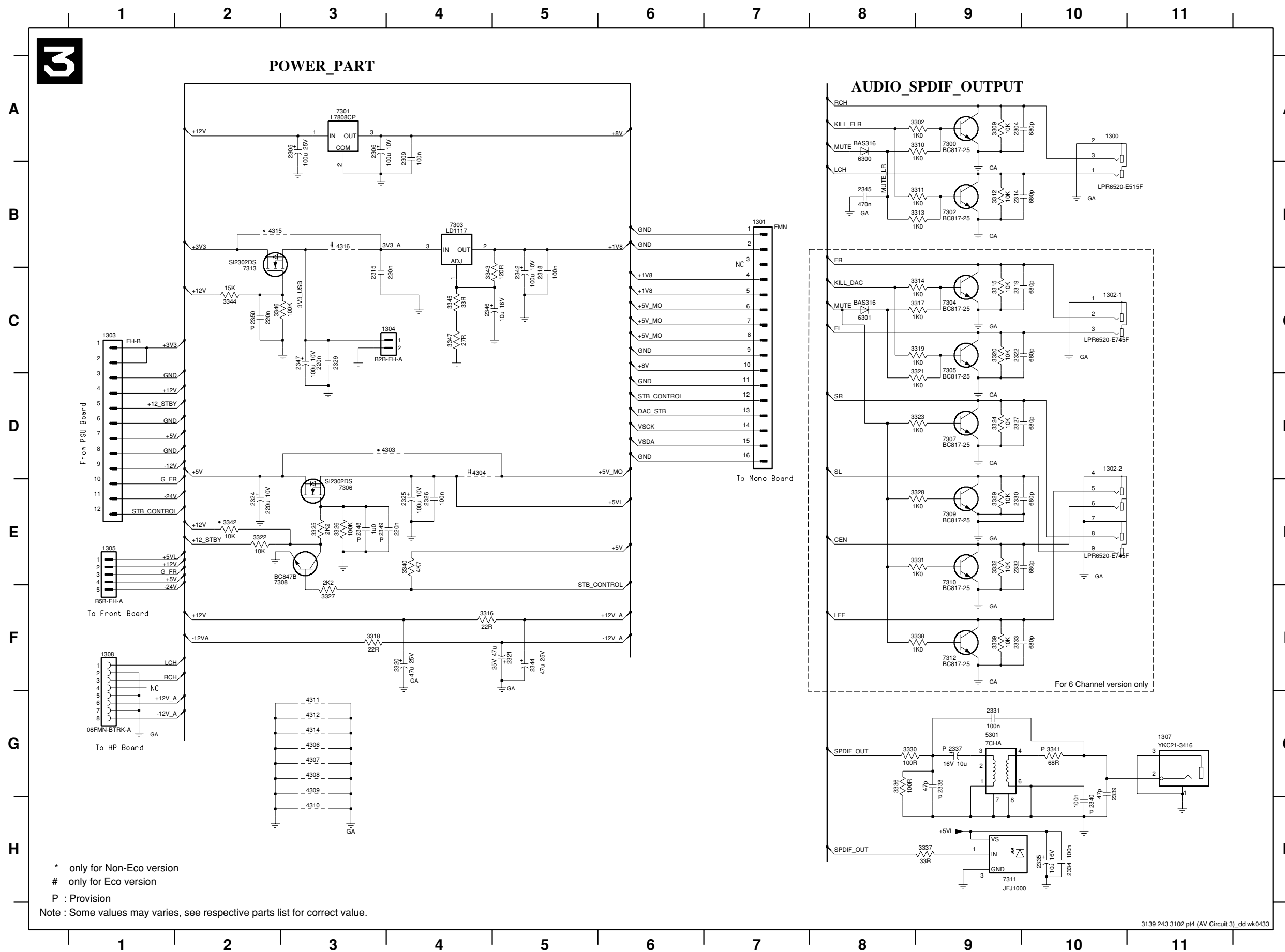
AV BOARD - CIRCUIT DIAGRAM (PART 2)



1202 A4	3241 D1
1203 A2	3242 E5
2200 A6	3243 E6
2201 B7	3244 E1
2202 B12	3245 E10
2203 B12	3246 E10
2204 B3	3247 E11
2205 B5	3248 E11
2206 B9	3249 E1
2207 B12	3250 E6
2208 B10	3251 E13
2209 B10	3252 E1
2210 B11	3253 E5
2211 B11	3254 E6
2212 C12	3255 E8
2213 C3	3256 E5
2214 C9	3257 F11
2215 C12	3258 F10
2216 D2	3259 F10
2217 D3	3260 F11
2218 C10	3261 F11
2219 C10	3262 F5
2220 C11	3263 F6
2221 D7	3264 F13
2222 D7	3265 F6
2223 D6	3266 E7
2224 D5	3267 G10
2225 D7	3268 G10
2226 D12	3269 G11
2227 D12	3270 G11
2228 E7	3271 G13
2229 E9	3272 G2
2230 E12	3273 H2
2231 E10	3274 H1
2232 E10	3275 H11
2233 E11	3276 H10
2234 E11	3277 H10
2235 E2	3278 H11
2236 E7	3279 H11
2237 E6	3280 H3
2238 F5	3281 C6
2239 F12	3283 C1
2241 F9	3284 A5
2242 F7	3286 B1
2243 F12	3287 A3
2244 F10	3288 C8
2245 F10	3289 C8
2246 F11	3290 C8
2247 G4	3291 C8
2248 F5	3292 A8
2249 G4	3293 A8
2250 G5	3294 A5
2251 G12	3295 E1
2252 H2	3296 A7
2253 G12	4201 A6
2255 G9	4202 A7
2256 G12	4204 G1
2257 G10	4205 A9
2258 G10	5202 F3
2259 G11	5203 F3
2260 H11	6206 F1
2261 H12	6207 A6
2262 I9	6208 A7
2263 I12	6210 B5
2264 I10	6211 B7
2265 I10	6212 E1
2266 I11	6213 A4
2268 I6	6214 A4
2269 I7	6215 F3
2270 I7	6216 F3
2271 I7	6217 A8
2272 B5	6218 A9
2273 B8	6219 A8
2274 A7	6220 B2
2275 A9	6221 B2
3200 A1	7221 A5
3202 A1	7222 B6
3203 A7	7223 A7
3204 A1	7224-A B12
3205 A6	7224-B D12
3206 A6	7225 B8
3207 A1	7226-A C4
3208 A5	7226-B C4
3209 A1	7226-C B4
3210 B8	7226-D B4
3211 B8	7228 B2
3212 B11	7230 C8
3213 B7	7233-A D7
3214 B10	7233-B E7
3215 B10	7234 D2
3216 B11	7235-A E12
3217 B11	7235-B F12
3218 B13	7237 F2
3219 B7	7239-A H12
3220 B1	7239-B H12
3221 B1	7240 G3
3222 C7	7241 C7
3223 C7	7242 B5
3224 C11	7243 A8
3225 C10	
3226 C10	
3227 C11	
3228 C11	
3229 C4	
3230 C4	
3231 C13	
3232 D1	
3233 D5	
3234 D6	
3235 D1	
3236 D8	
3237 D1	
3238 D5	
3239 D1	
3240 D1	

P : Provision
 Note : Some values may varies, see respective parts list for correct value.

AV BOARD - CIRCUIT DIAGRAM (PART 3)



ELECTRICAL PARTS LIST - AV BOARD**MISCELLANEOUS**

0002	3139 241 21102	EMC SPRING	/00/02/05
0003	3139 241 21102	EMC SPRING	/00/02/05
1103	2422 033 00468	Socket 2P (S-Video/CVBS)	
1109	2422 026 05529	Socket Cinch 2P (Y/Pb)	
1109	2422 026 05617	Socket Cinch 2P (Y/Pb)	
1110	2422 026 05531	Socket Cinch 1P (Pr)	
1110	2422 026 05605	Socket Cinch 1P (Pr)	
1112	2422 025 17433	Flex Connector 30P	
1112	2422 025 17509	Flex Connector 30P	
1113	2422 025 12352	Socket Scart 21P	/00/02/05
1300	2422 026 05615	Socket Cinch 2P (Stereo L/R)	
1300	2422 026 04754	Socket Cinch 2P (Stereo L/R)	
1301	2422 025 18364	Flex Connector 16P	
1301	2422 025 16525	Flex Connector 16P	
1307	4822 267 31729	Socket Cinch 1P (Coaxial)	
1307	2422 026 05607	Socket Cinch 1P (Coaxial)	

COILS & FILTERS

5100	2422 549 43062	FXD IND 0603 100MHz 600R	
5103	2422 549 43062	FXD IND 0603 100MHz 600R	
5104	4822 051 30008	0R JUMPER 0603	/00/02/05

DIODES

6100	4822 130 11522	PDZ15B	/78
6101	4822 130 11522	PDZ15B	
6102	4822 130 11522	PDZ15B	
6104	4822 130 11522	PDZ15B	
6105	4822 130 11522	PDZ15B	
6106	4822 130 11522	PDZ15B	
6107	4822 130 11522	PDZ15B	/00/02/05
6108	4822 130 11522	PDZ15B	/00/02/05
6109	4822 130 11522	PDZ15B	/00/02/05
6110	3198 020 55680	PDZ5.6B	/00/02/05
6111	4822 130 11522	PDZ15B	/00/02/05
6112	4822 130 11522	PDZ15B	/00/02/05
6206	4822 130 11397	BAS316	
6207	4822 130 11397	BAS316	
6208	4822 130 11397	BAS316	
6210	4822 130 11397	BAS316	
6211	4822 130 11397	BAS316	
6212	4822 130 11397	BAS316	
6213	4822 130 11397	BAS316	
6215	4822 130 11397	BAS316	
6216	4822 130 11397	BAS316	
6217	4822 130 11397	BAS316	
6218	4822 130 11397	BAS316	
6219	4822 130 11397	BAS316	
6220	4822 130 11397	BAS316	
6221	4822 130 11397	BAS316	
6300	4822 130 11397	BAS316	

TRANSISTORS & INTEGRATED CIRCUITS

7105	9322 195 23668	IC SM ADG733BRU	/00/02/05
7113	9322 200 00685	IC SM AD8091ART	/00/02/05
7116	5322 130 60159	BC847B	/00/02/05
7119	5322 130 60159	BC847B	/00/02/05
7120	5322 130 60159	BC847B	/00/02/05
7123	5322 130 60159	BC847B	/00/02/05
7124	5322 130 60159	BC847B	/00/02/05
7127	5322 130 60159	BC847B	/00/02/05
7138	5322 130 60159	BC847B	/00/02/05
7140	4822 130 60373	BC857B	/00/02/05
7141	5322 130 60159	BC847B	
7142	5322 130 60159	BC847B	
7221	4822 130 60373	BC857B	
7222	4822 130 60373	BC857B	
7223	4822 130 60373	BC857B	
7225	4822 130 60373	BC857B	
7228	9322 151 71668	IC SM MK2703STR	/00/02/05
7233	4822 209 30095	IC SM LM833D	
7234	9322 177 09685	IC SM AK4382AVT	
7237	9322 104 47668	IC SM L78M05CDT	
7242	5322 130 60159	BC847B	
7243	4822 130 60373	BC857B	
7300	4822 130 42804	BC817-25	
7301	4822 209 33083	IC L7808CV	
7302	4822 130 42804	BC817-25	
7303	9322 182 95668	IC SM LD1117S	
7306	9322 178 05685	FET POW SM SI2302DS	
7308	5322 130 60159	BC847B	
7311	9322 175 41687	SOC FIB OPT JFJ1000	
7313	9322 178 05685	FET POW SM SI2302DS	

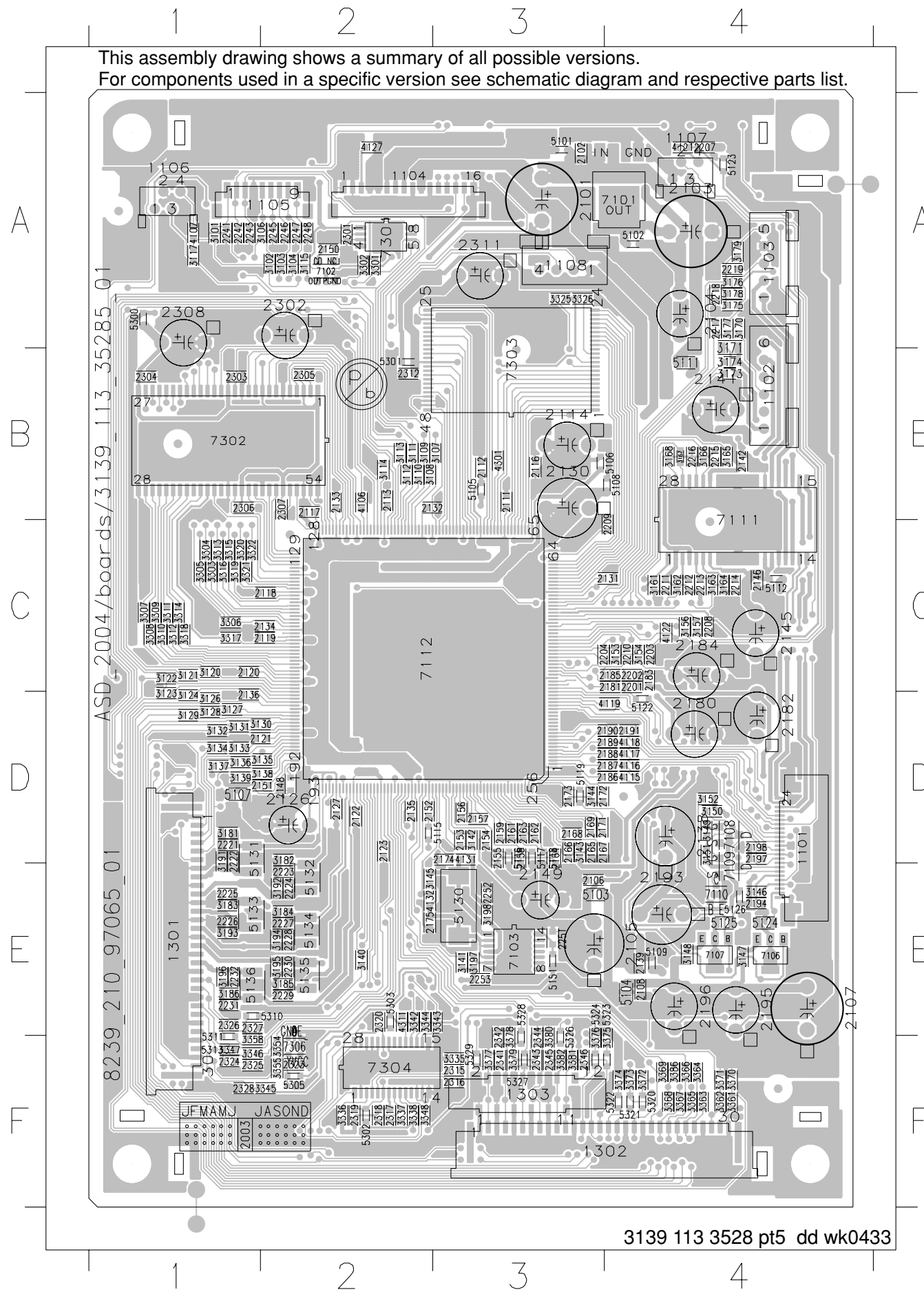
Note : Only the parts mentioned in this list are normal service spare parts.

MODULE SD6.1 PL 2CH

TABLE OF CONTENTS

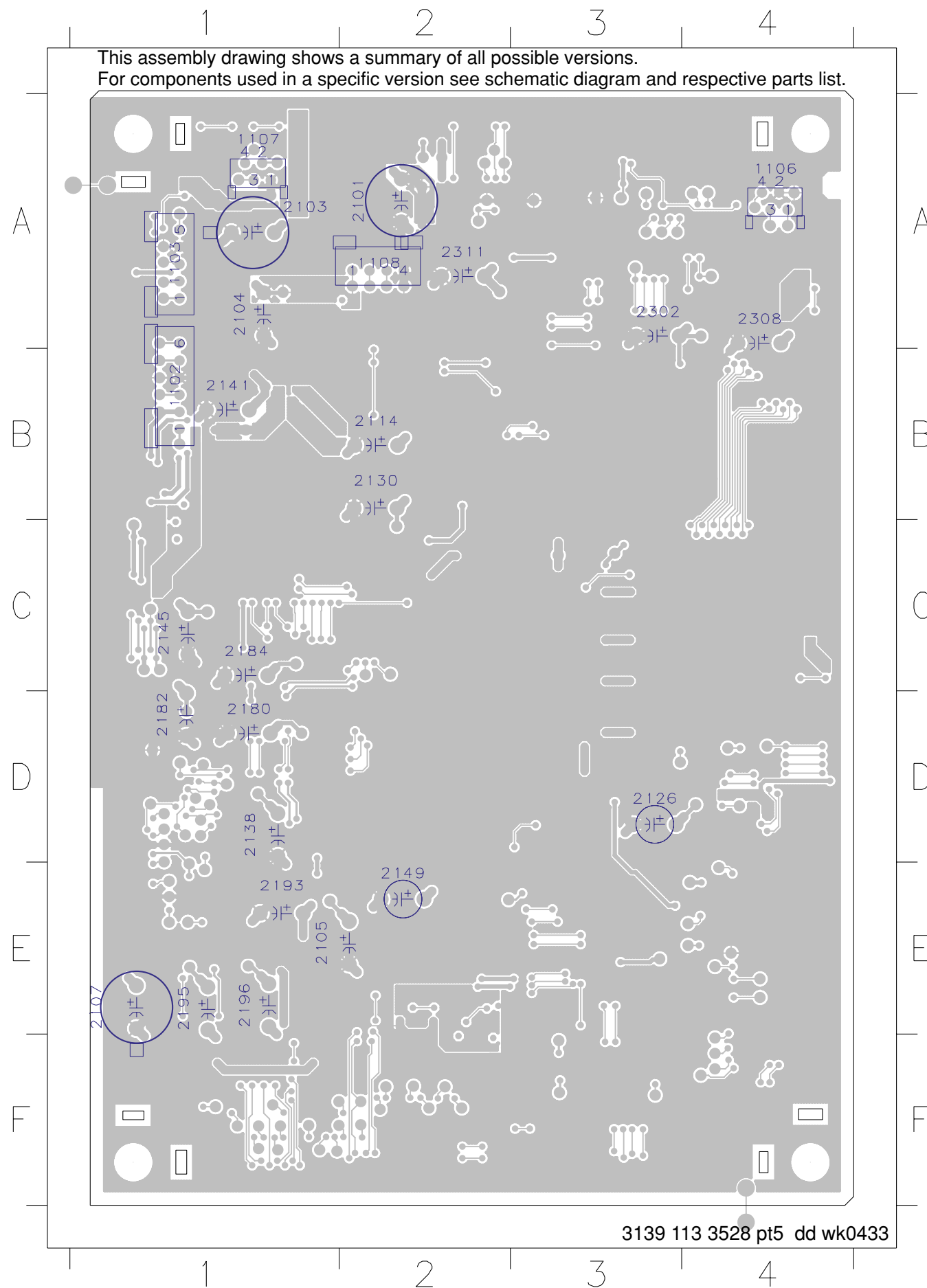
SD6.1 PL 2CH Board - Top View Layout	8-2
SD6.1 PL 2CH Board - Bottom View Layout	8-3
SD6.1 PL 2CH Board - Circuit Diagram (Part 1)	8-4
SD6.1 PL 2CH Board - Circuit Diagram (Part 2)	8-5
Exploded View & parts list	8-6
Electrical parts list	8-7

SD6.1 PL 2CH BOARD - TOP VIEW LAYOUT



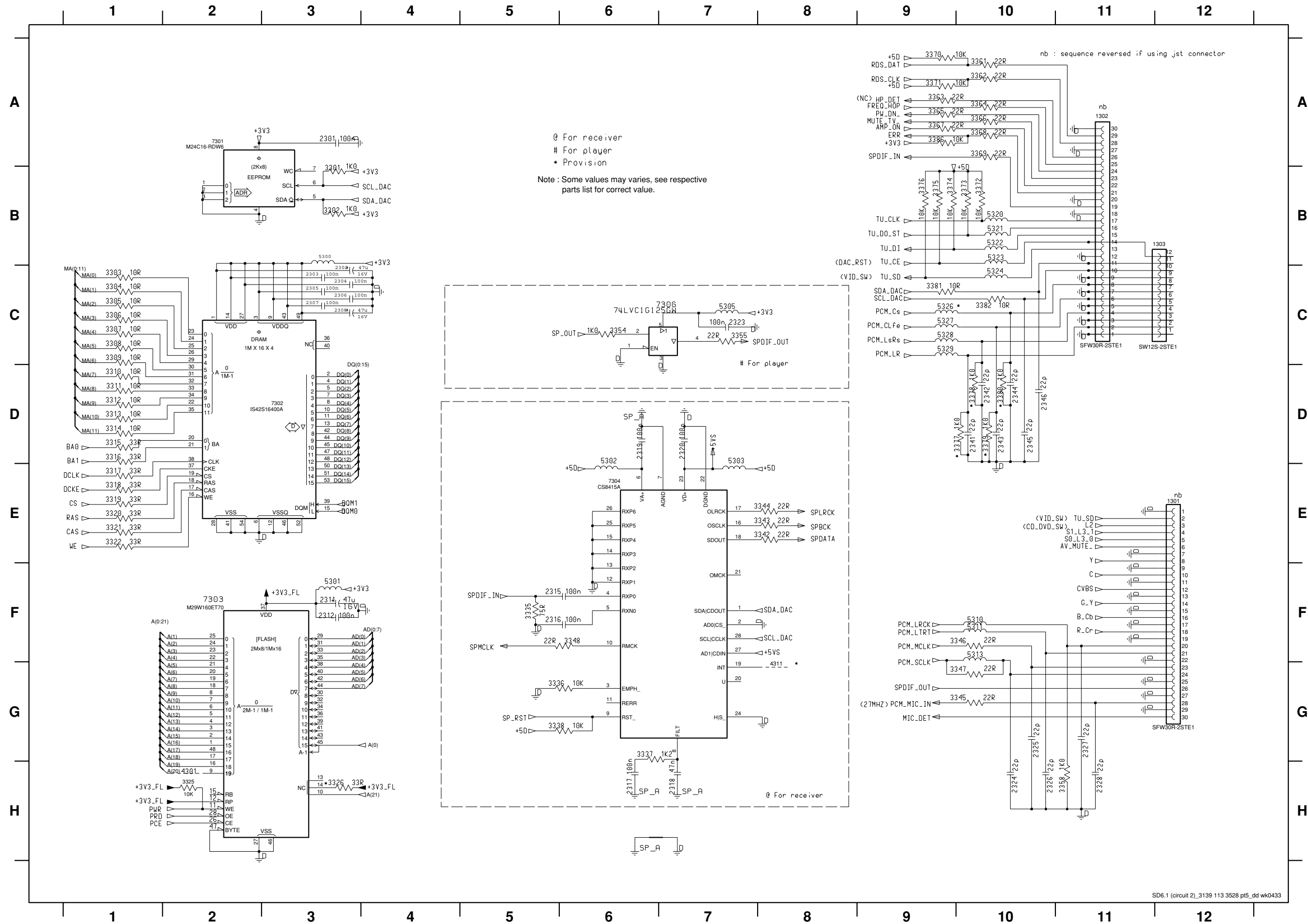
1101	D4	2169	D3	2304	B1	3147	E4	3336	F2	5122	D4
1102	B4	2171	D3	2305	B2	3148	E4	3337	F2	5123	A4
1103	A4	2172	D3	2306	B1	3149	D4	3338	F2	5124	E4
1104	A2	2173	D3	2307	B2	3150	D4	3342	E2	5125	E4
1105	A2	2174	D3	2308	A1	3151	D4	3343	E3	5126	E4
1106	A1	2175	E2	2311	A3	3152	D4	3344	E2	5130	E3
1107	A4	2180	D4	2312	B2	3153	C4	3345	F2	5131	D1
1108	A3	2181	C4	2315	F3	3154	C4	3346	F1	5132	E2
1301	E1	2182	D4	2316	F3	3156	C4	3347	F1	5133	E1
1302	F3	2183	C4	2317	F2	3157	C4	3348	F2	5134	E2
1303	F3	2184	C4	2318	F2	3161	C4	3354	F2	5135	E2
2101	A3	2185	C4	2319	F2	3162	C4	3355	F2	5136	E1
2102	A3	2186	D4	2320	E2	3163	C4	3358	F1	5151	E3
2103	A4	2187	D4	2323	F2	3164	C4	3361	F4	5300	A1
2104	A4	2188	D4	2324	F1	3165	B4	3362	F4	5301	B2
2105	E4	2189	D4	2325	F1	3166	B4	3363	F4	5302	F2
2106	E3	2190	D4	2326	E1	3167	B4	3364	F4	5303	E2
2107	E4	2191	D4	2327	E1	3168	B4	3365	F4	5305	F2
2108	E4	2193	E4	2328	F1	3170	A4	3366	F4	5310	E2
2111	B3	2194	E4	2341	F3	3171	B4	3367	F4	5311	F1
2112	B3	2195	E4	2342	F3	3173	B4	3368	F4	5313	F1
2113	B2	2196	E4	2343	F3	3174	B4	3369	F4	5320	F4
2114	B3	2197	D4	2344	F3	3175	A4	3370	F4	5321	F4
2116	B3	2198	D4	2345	F3	3176	A4	3371	F4	5322	F4
2117	B2	2201	C4	2346	F3	3177	A4	3372	F4	5323	E4
2118	C2	2202	C4	3101	A1	3178	A4	3373	F4	5324	E3
2119	C2	2203	C4	3102	A2	3179	A4	3374	F4	5326	F3
2120	C1	2204	C3	3103	A2	3181	D1	3375	F4	5327	F3
2121	D2	2207	A4	3104	A2	3182	D2	3376	F3	5328	E3
2122	D2	2208	C4	3106	A2	3183	E1	3377	F3	5329	F3
2123	D2	2209	C4	3107	B3	3184	E2	3378	F3	7101	A4
2126	D2	2210	C4	3108	B2	3185	E2	3379	F3	7102	A2
2127	D2	2211	C4	3109	B2	3186	E1	3380	F3	7103	E3
2130	B3	2212	C4	3110	B2	3191	D1	3381	F3	7106	E4
2131	C4	2213	C4	3111	B2	3192	E2	3382	F3	7107	E4
2132	B2	2214	C4	3112	B2	3193	E1	3386	F4	7108	D4
2133	B2	2215	B4	3113	B2	3194	E2	4106	B2	7109	E4
2134	C2	2216	B4	3114	B2	3195	E2	4107	A1	7110	E4
2135	D2	2217	A4	3115	A2	3196	E1	4115	D4	7111	C4
2136	D1	2218	A4	3117	A1	3197	E3	4116	D4	7112	C2
2138	D4	2219	A4	3120	C1	3198	E3	4117	D4	7301	A2
2139	E4	2221	D1	3121	C1	3301	A2	4118	D4	7302	B1
2141	B4	2222	D1	3122	C1	3302	A2	4119	D4	7303	B3
2142	B4	2223	E2	3123	D1	3303	C1	4121	A4	7304	F2
2145	C4	2224	E2	3124	D1	3304	C1	4122	C4	7306	F2
2146	C4	2225	E1	3126	D1	3305	C1	4127	A2		
2148	D2	2226	E1	3127	D1	3306	C1	4131	D3		
2149	E3	2227	E2	3128	D1	3307	C1	4132	E2		
2150	A2	2228	E2	3129	D1	3308	C1	4301	B3		
2151	D2	2229	E2	3130	D2	3309	C1	4311	E2		
2152	D2	2230	E2	3131	D1	3310	C1	5101	A3		
2153	D3	2231	E1	3132	D1	3311	C1	5102	A4		
2154	D3	2232	E1	3133	D1	3312	C1	5103	E3		
2155	D3	2241	A1	3134	D1	3313	C1	5104	E4		
2156	D3	2242	A1	3135	D2	3314	C1	5105	B3		
2157	D3	2243	A1	3136	D1	3315	C1	5106	B4		
2158	D3	2245	A2	3137	D1	3316	C1	5107	D1		
2159	D3	2246	A2	3138	D2	3317	C1	5108	B4		
2161	D3	2247	A2	3139	D1	3318	C1	5109	E4		
2162	D3	2248	A2	3140	E2	3319	C1	5111	B4		
2163	D3	2251	E3	3141	E3	3320	C1	5112	C4		
2164	D3	2252	E3	3142	D3	3321	C1	5115	D3		
2165	D3	2253	E3	3143	D3	3322	C1	5116	D3		
2166	D3	2301	A2	3144	D3	3325	A3	5117	D3		
2167	D3	2302	A2	3145	E2	3326	A3	5118	D3		
2168	D3	2303	B1	3146	E4	3335	F3	5119	D3		

SD6.1 PL 2CH BOARD - BOTTOM VIEW LAYOUT



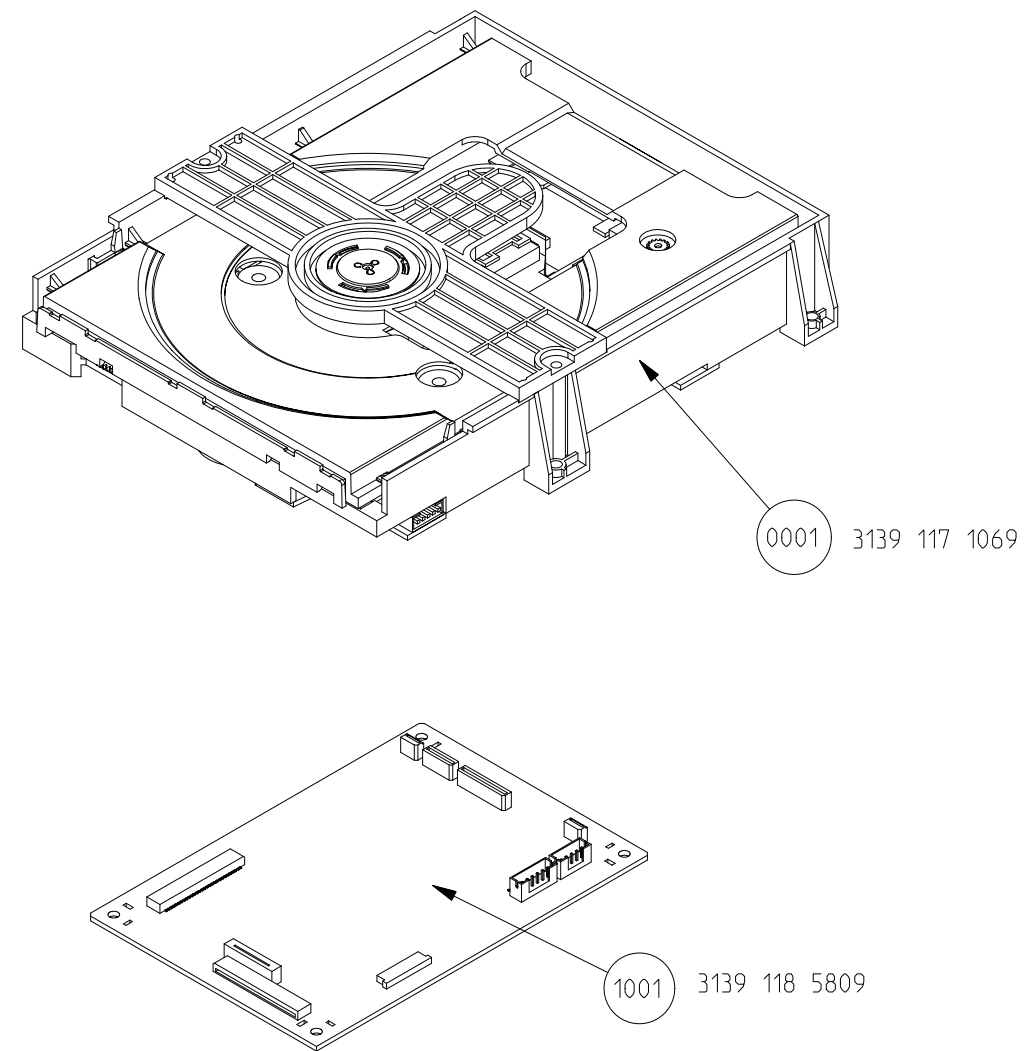
- 1102 B1
- 1103 A1
- 1106 A4
- 1107 A1
- 1108 A2
- 2101 A2
- 2103 A1
- 2104 A1
- 2105 E1
- 2107 E1
- 2114 B2
- 2126 D3
- 2130 B2
- 2138 D1
- 2141 B1
- 2145 C1
- 2149 E2
- 2180 D1
- 2182 D1
- 2184 C1
- 2193 E1
- 2195 E1
- 2196 E1
- 2302 A3
- 2308 A4
- 2311 A2

SD6.1 PL 2CH BOARD - CIRCUIT DIAGRAM (PART 2)



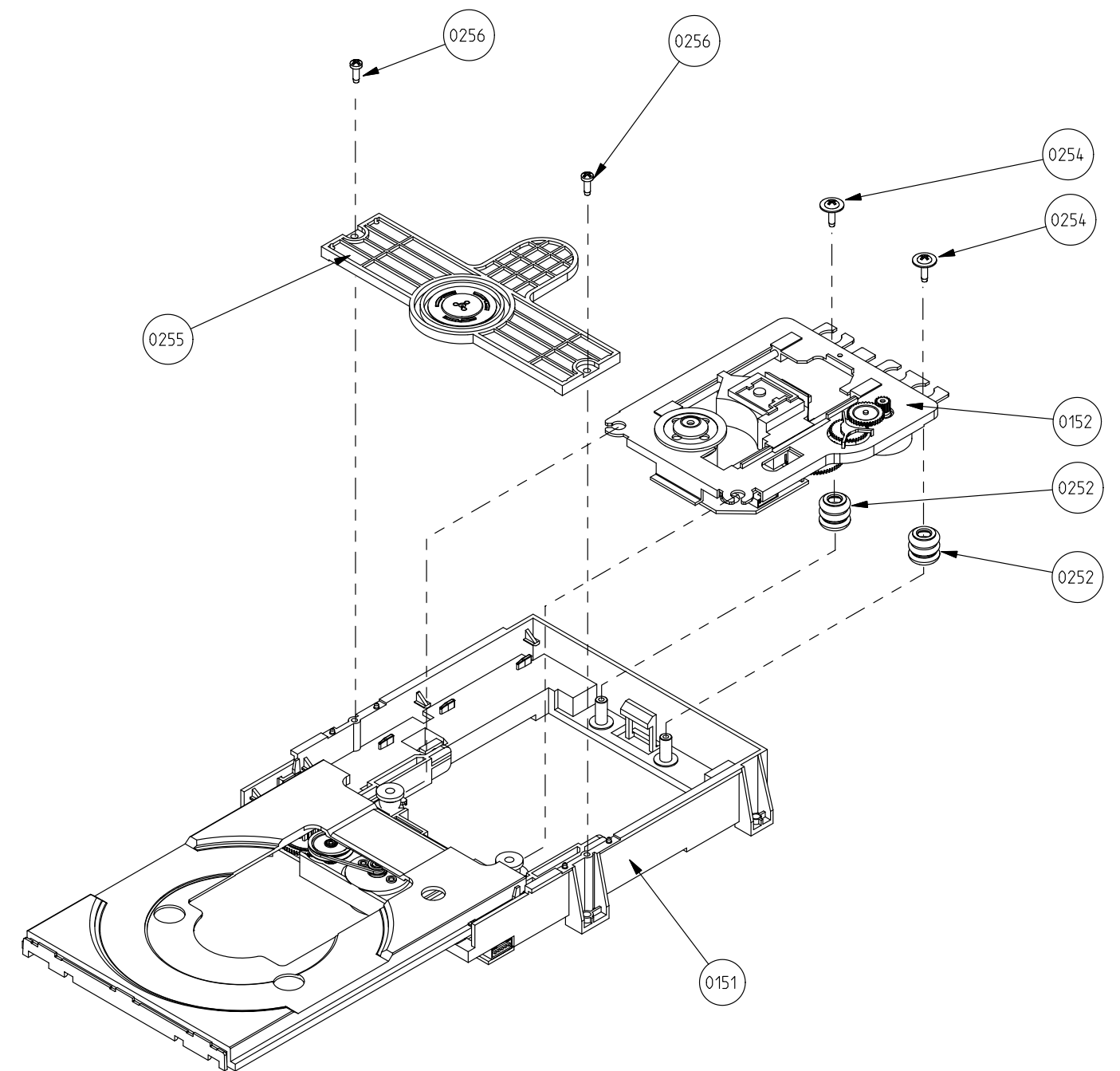
1301 E12	5323 B10
1302 A11	5324 C10
1303 B12	5326 C9
2301 A3	5327 C9
2302 C3	5328 C9
2303 C3	5329 C9
2304 C3	7301 A2
2305 C3	7302 D3
2306 C3	7303 F2
2307 C3	7304 E6
2308 C3	7306 C7
2311 F3	
2312 F3	
2315 F5	
2316 F5	
2317 H6	
2318 H7	
2319 D6	
2320 D7	
2323 C7	
2324 H10	
2325 G10	
2326 H10	
2327 G11	
2328 H11	
2341 D10	
2342 D10	
2343 D10	
2344 D10	
2345 D10	
2346 D10	
3301 B3	
3302 B3	
3303 C1	
3304 C1	
3305 C1	
3306 C1	
3307 C1	
3308 C1	
3309 C1	
3310 D1	
3311 D1	
3312 D1	
3313 D1	
3314 D1	
3315 D1	
3316 D1	
3317 E1	
3318 E1	
3319 E1	
3320 E1	
3321 E1	
3322 E1	
3325 H2	
3326 H3	
3335 F5	
3336 G5	
3337 G6	
3338 G5	
3342 E8	
3343 E8	
3344 E8	
3345 G10	
3346 F10	
3347 G10	
3348 F6	
3354 C6	
3355 C7	
3358 H11	
3361 A10	
3362 A10	
3363 A9	
3364 A10	
3365 A9	
3366 A10	
3367 A9	
3368 A10	
3369 A10	
3370 A9	
3371 A9	
3372 B10	
3373 B10	
3374 B9	
3375 B9	
3376 B9	
3377 D10	
3378 D10	
3379 D10	
3380 D10	
3381 C9	
3382 C10	
3386 A9	
4301 H2	
4311 G8	
5300 B3	
5301 F3	
5302 D6	
5303 D7	
5305 C7	
5310 F10	
5311 F10	
5313 F10	
5320 B10	
5321 B10	
5322 B10	

EXPLODED VIEW - MODULE SD6.1 PL 2CH



Module SD6.1 PL 2CH_3139 117 10931_dd wk0433

EXPLODED VIEW - MODULE DVD LOADER ASA+DV34 PL



Module DVD Loader ASA+DV34 PL_3139 117 10691_dd wk0409

MODULE SD6.1 PL 2CH PARTS LIST

0001	3139 117 10691	MODULE DVD LOADER ASA+DV34 PL
1001	3139 118 58091	PCBAS SD6.1 PL 2CH PHIL USB
1101	3139 111 04021	FFC FOIL 24P/220 AD 0.5MMP FLD

Note : Only the parts mentioned in this list are normal service spare parts.

ELECTRICAL PARTS LIST - SD6.1 PL 2CH BOARD**MISCELLANEOUS**

1101	2422 025 17529	Flex Connector 24P	7111	9322 201 94668	IC SM MM1646XH
1104	2422 025 16388	Flex Connector 16P	7112	9322 203 35671	IC SM MT1389EE
1105	2422 025 17768	Flex Connector 9P	7301	9322 189 04668	IC SM M24C16-RDW6
1106	2422 025 16727	Flex Connector 4P	7302	9322 166 67668	IC SMMT48LC4M16A2TG-7E
1107	2422 025 16727	Flex Connector 4P	7302	9322 199 38671	IC SM IS42S16400A-7T
1301	2422 025 17451	Flex Connector 30P	7303	3139 110 53701	FLASH + EMBEDDED SW
			7306	9352 687 20125	IC SM 74LVC1G125GW

COILS & FILTERS

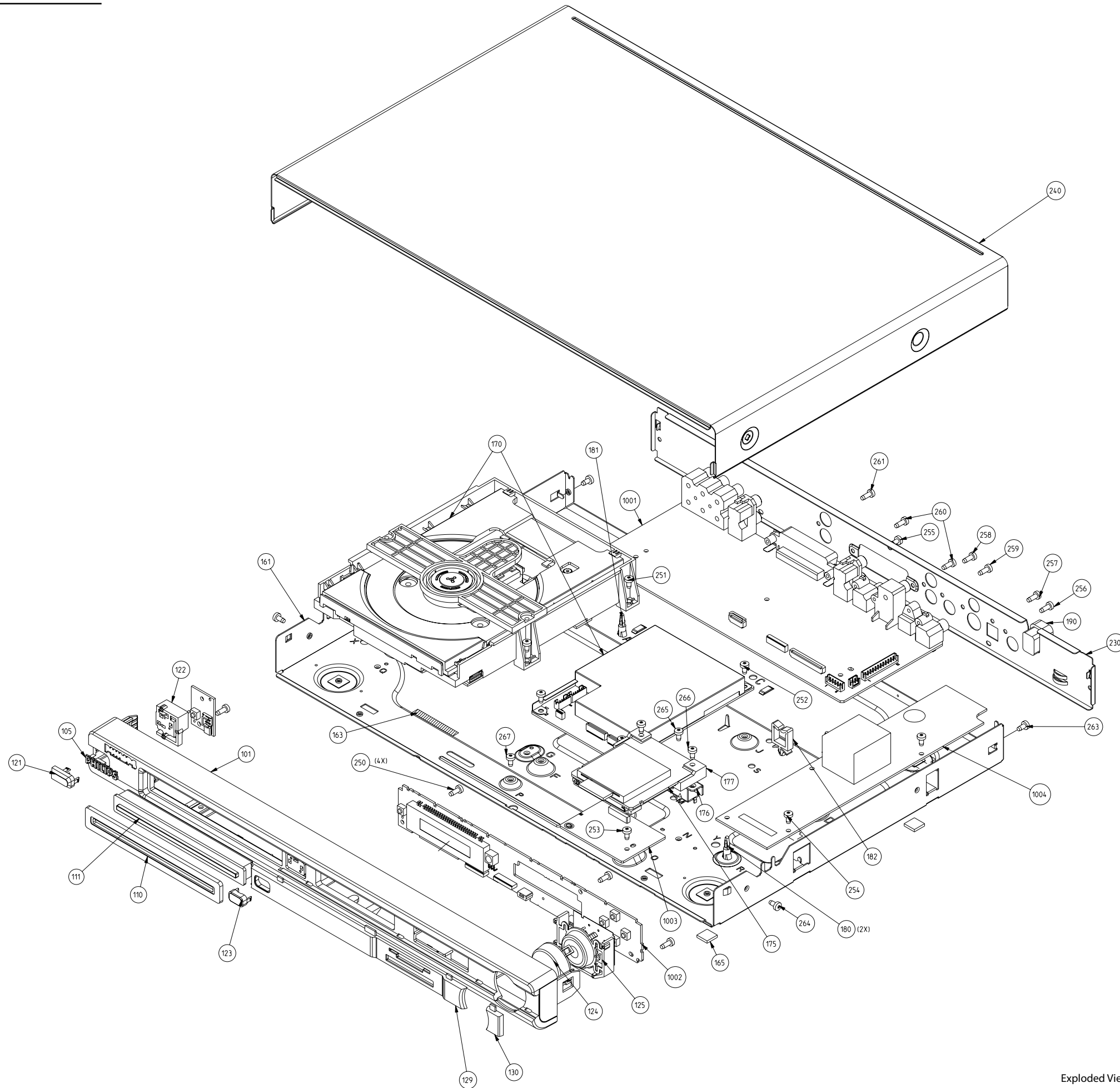
5101	2422 549 45618	IND FXD 0603 100MHz 60R
5102	2422 549 45618	IND FXD 0603 100MHz 60R
5103	4822 157 71206	FXD IND 0805 100MHz 600R
5104	4822 157 71206	FXD IND 0805 100MHz 600R
5105	2422 549 43062	FXD IND 0603 100MHz 600R
5106	2422 549 43062	FXD IND 0603 100MHz 600R
5107	4822 157 71206	FXD IND 0805 100MHz 600R
5108	2422 549 45618	IND FXD 0603 100MHz 60R
5109	2422 549 43062	FXD IND 0603 100MHz 600R
5111	4822 157 71206	FXD IND 0805 100MHz 600R
5112	2422 549 45618	IND FXD 0603 100MHz 60R
5115	2422 549 43062	FXD IND 0603 100MHz 600R
5116	2422 549 43062	FXD IND 0603 100MHz 600R
5117	2422 549 43062	FXD IND 0603 100MHz 600R
5118	2422 549 43062	FXD IND 0603 100MHz 600R
5119	2422 549 43062	FXD IND 0603 100MHz 600R
5122	2422 549 43062	FXD IND 0603 100MHz 600R
5123	2422 549 45618	IND FXD 0603 100MHz 60R
5124	3198 018 31090	FXD IND SM 0805 10U 10%
5125	3198 018 31090	FXD IND SM 0805 10U 10%
5126	2422 549 43062	FXD IND 0603 100MHz 600R
5130	2422 543 01393	RES XTL 27MHz 10P CX8045
5131	3198 018 41880	FXD IND SM 1210 1U8 5%
5132	3198 018 41880	FXD IND SM 1210 1U8 5%
5133	3198 018 41880	FXD IND SM 1210 1U8 5%
5134	3198 018 41880	FXD IND SM 1210 1U8 5%
5135	3198 018 41880	FXD IND SM 1210 1U8 5%
5136	3198 018 41880	FXD IND SM 1210 1U8 5%
5151	2422 549 43062	FXD IND 0603 100MHz 600R
5300	2422 549 43062	FXD IND 0603 100MHz 600R
5301	2422 549 43062	FXD IND 0603 100MHz 600R
5305	2422 549 43062	FXD IND 0603 100MHz 600R
5310	2422 549 43062	FXD IND 0603 100MHz 600R
5311	2422 549 43062	FXD IND 0603 100MHz 600R

Note : Only the parts mentioned in this list are normal service spare parts.

TRANSISTORS & INTEGRATED CIRCUITS

7101	4822 209 17398	IC SM LD1117DT33
7102	9322 165 15685	IC SM NCP303LSN30
7103	9351 875 80118	IC SM 74HCU04PW
7106	4822 130 11565	TRA POW SM 2SB1132
7107	4822 130 11565	TRA POW SM 2SB1132
7108	9340 547 13215	FET SIG SM BSH103
7109	9340 547 13215	FET SIG SM BSH103
7110	9340 219 30115	TRA SIG SM BC817-25W

SET MECHANICAL EXPLODED VIEW



MECHANICAL & ACCESSORIES PARTS LIST - MAIN UNIT**SCREW LISTS - MAIN UNIT**

0101	3139 244 05351	CABINET FRONT	
0105	3139 247 51831	BADGE PHILIPS ASSY SILVER	
0110	3139 247 58371	TRAY FRONT	
0111	3139 244 05011	TRAY STRIP	
0121	3139 247 58481	BUTTON STANDBY TOP	
0122	3139 244 03411	BUTTON STANDBY BOTTOM	
0123	3139 247 58461	BUTTON OPEN/CLOSE	
0124	3139 247 58442	BUTTON CLUSTER TOP	
0125	3139 247 58451	BUTTON CLUSTER BOTTOM	
0129	3139 244 04661	WINDOW CENTRE	
0130	3139 247 58621	WINDOW SIDE	
0165	3139 243 10080	CUSHION FOOT	
0175	2822 062 00033	CARD READER WRITER USB1.1 B	
0180	3139 240 40061	SPACER - 8MM	
0181	3139 240 40061	SPACER - 8MM	
0182	2422 015 19894	SADDLE WIRE NY6/6 NT 9.9MM B	
0190	4822 532 60948	BUSH	
0333	3139 248 72071	REMOTE CONTROL	
0336	2422 070 98231	△ MAINS CORD	/00/02/78
0336	3103 140 25882	△ MAINS CORD	/05
0337	3139 128 73010	△ MAINS PLUG ADAPTER	/78
0338	2422 076 00304	CABLE CINCH 1M5 YE/RD/WH	/78
0342	2422 076 00445	△ CABLE SCART 1M1 SCART 21P	/00/02/05
1001	3139 248 83191	PCBAS AV	/00/02/05
1001	3139 248 83181	PCBAS AV	/78
1002	3139 248 83211	PCBAS FRONT	
1003	3139 248 83031	PCBAS ECO BOARD	
1004	3139 248 72061	MODULE PSU DVD HE 2004 MIT	
1101	3139 241 00541	FFC FOIL 30P/120/30P AD 1MMP	
1102	3139 111 02361	FFC FOIL 16P/180/16P AD 1MMP	
1105	3139 241 00521	FFC FOIL 09P/140/09P AD 1MMP	
1106	3139 241 00551	FFC FOIL 16P/100/16P AD 1MMP	
1108	3139 241 00821	FFC FOIL 04P/140/04P AD 1MMP	

250	D3 x 8	
251	M3 x 6	
252	M3 x 4	
253	M3 x 4	
254	M3 x 4	
255	M3 x 4	
256	D3 x 8	
257	D3 x 8	
258	D3 x 8	
259	D3 x 8	
260	D3 x 8	/00/02/05
261	D3 x 8	
263	M3 x 6	
264	M3 x 6	
265	M3 x 4	
266	M3 x 4	
267	M3 x 4	

Note : Only the parts mentioned in this list are normal service spare parts.

PSU BOARD

(For Information only)

It is not recommended for component repair on this board but to replace the board when it becomes defective.

Therefore no service parts list is published in this chapter.

The only service part available for replacement is:

Module PSU DVD HE 2004 MIT 3139 248 72061

TABLE OF CONTENTS

Circuit Diagram 10-2

